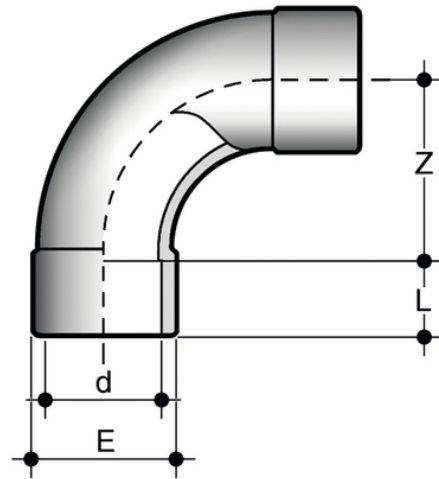


# SIV

90B° long radius bend (R=2d) with solvent weld sockets



| Κωδικός Προϊόντος | tooltiplmage | product.detail.attribute. | d   | PN | E   | L  | Z     | g    |
|-------------------|--------------|---------------------------|-----|----|-----|----|-------|------|
| SIV020            | -            | IH                        | 20  | 16 | 27  | 16 | 40,5  | 35   |
| SIV025            | -            | IH                        | 25  | 16 | 33  | 19 | 50    | 55   |
| SIV032            | -            | IH                        | 32  | 16 | 41  | 22 | 65,5  | 100  |
| SIV040            | -            | IH                        | 40  | 16 | 50  | 26 | 80,5  | 175  |
| SIV050            | -            | IH                        | 50  | 16 | 61  | 31 | 100,5 | 280  |
| SIV063            | -            | IH                        | 63  | 16 | 76  | 38 | 127   | 515  |
| SIV075            | -            | I                         | 75  | 16 | 94  | 44 | 150   | 1000 |
| SIV090            | -            | I                         | 90  | 16 | 113 | 51 | 180   | 1770 |
| SIV110            | -            | I                         | 110 | 16 | 137 | 61 | 220   | 2800 |
| SIV160            | -            | I                         | 160 | 16 | 189 | 86 | 207   | 5020 |