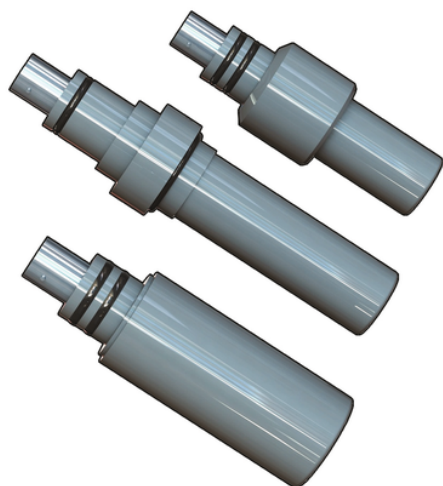


# ORP6XX CD

C-PVC double junction Flat surface electrodes



Κωδικός προϊόντος	tooltiplmage	Features	Operative Range	Cable*	Connection	Installation	Weight (gr.)
ORP650CD	-	-	-	CN 653 \$ CN653 TC1	Twist-lock (BNC)	MIFV20X05 \$ MIMC20X05	100
ORP650CDDA	-	Signal amplified	Presence of stray currents	CN 653 \$ CN653 TC1	Twist-lock (BNC)	MIFV20X05 \$ MIMC20X05	200
ORP655CD	-	With pressurized filling gel	-	CN 653	Twist-lock (BNC)	WT675 \$ WT675 TC1	100
ORP660CD	-	-	-	CN 653	Twist-lock (BNC)	EG66P \$ MK660	100
ORP660CDDA	-	Signal amplified	Presence of stray currents	CN 653	Twist-lock (BNC)	EG66P \$ MK660	200

## ORP6XX CD

- APPLICATIONS β' Water & Wastewater treatment β' Pre-chlorination & de-chlorination β' Neutralization systems β' Water quality monitoring β' Ozone treatment β' Coolingtowers β' Boiler systems β' Bleach production β' Pulp bleaching β' Aquaculture β' Fruit and vegetables washing β' Textile Dye Process MAIN FEATURES β' pH and ORP versions β' Flat electrodes β' Double junction technology β' Large gel reference volume β' High protection from process contamination β' Easy and quick installation system β' BNC connector β' In line, submersion or hot tap installation β' Low cost fittings β' HF option (pH) for liquids with HF (max. 2%) inside β' LC option (pH) on request for pure water (<100us >