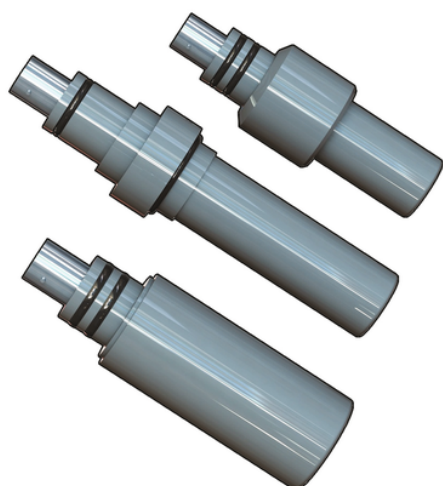


# PH6XX CD

C-PVC double junction Flat surface electrodes



Κωδικός προϊόντος	tooltiplmage	Features	Operative Range	Cable*	Connection	Installation	Weight (gr.)	product.detail.attribute.Featurese
PH650CD	-	-	-	CN 653 \$ CN653 TC1	Twist-lock (BNC)	MIFV20X05 \$ MIMC20X05	100	-
PH650CDDA	-	Signal amplified	Presence of stray currents	CN 653 \$ CN 653 TC1	Twist-lock (BNC)	MIFV20X05 MIMC20X05	200	-
PH650CDHF	-	-	Liquids with HF (max 2%)	CN 653 \$ CN 653 TC1	Twist-lock (BNC)	MIFV20X05 MIMC20X05	100	-
PH650CDLC	-	-	Liquids with low conductivity (10 [CS:Simbolo;μ]S/cm	CN 653 \$ CN 653 TC1	Twist-lock (BNC)	MIFV20X05 MIMC20X05	100	-
PH655CD	-	With pressurized filling gel	-	CN 653	Twist-lock (BNC)	WTF675 \$ WTF675 TC1	100	-
PH655CDHF	-	-	Liquids with HF (max 2%)	CN 653	Twist-lock (BNC)	WTF675 \$ WTF675 TC1	100	With pressurized filling gel
PH655CDLC	-	With pressurized filling gel	Liquids with low conductivity (10 [CS:Simbolo;μ]S/cm	CN 653	Twist-lock (BNC)	WTF675 \$ WTF675 TC1	100	-
PH660CD	-	-	-	CN 653	Twist-lock (BNC)	EG66P \$ MK660	100	-

# PH6XX CD

Κωδικός προϊόντος	tooltiplmage	Features	Operative Range	Cable*	Connection	Installation	Weight (gr.)	product.detail.attribute.Featurese
PH660CDDA	-	Signal amplified	Presence of stray currents	CN 653	Twist-lock (BNC)	EG66P \$ MK660	200	-
PH660CDHF	-	-	Liquids with HF (max 2%)	CN 653	Twist-lock (BNC)	EG66P \$ MK660	100	-
PH660CDLC	-	-	Liquids with low conductivity (10 [CS:Simbolo:μ]S/cm	CN 653	Twist-lock (BNC)	EG66P \$ MK660	100	-



## PH6XX CD

- APPLICATIONS β' Water & Wastewater treatment β' Pre-chlorination & de-chlorination β' Neutralization systems β' Water quality monitoring β' Ozone treatment β' Coolingtowers β' Boiler systems β' Bleach production β' Pulp bleaching β' Aquaculture β' Fruit and vegetables washing β' Textile Dye Process MAIN FEATURES β' pH and ORP versions β' Flat electrodes β' Double junction technology β' Large gel reference volume β' High protection from process contamination β' Easy and quick installation system β' BNC connector β' In line, submersion or hot tap installation β' Low cost fittings β' HF option (pH) for liquids with HF (max. 2%) inside β' LC option (pH) on request for pure water (<100us >