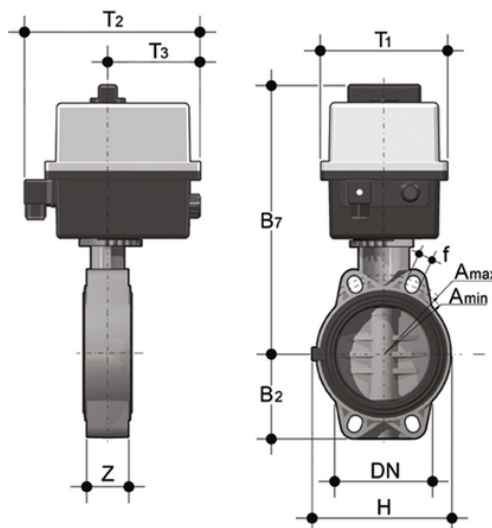


FEOV/CE 90-240V AC DN 40-100

- Βάνα Πεταλούδα με Ηλεκτρικό Ενεργοποιητή

Butterfly valve with multi-volt electric actuator 90-240 V AC 50-60 Hz



EPDM

Κωδικός προϊόντος	tootiplmage	d	DN	PN	B ₂	H	Z	A _{min}	A _{max}	f	U	B ₇	T ₁	T ₂	T ₃	g
FEOVEM050E	-	50-1"1/2	40	16	60	132	33	93.5	109	19	4	253	92	189	91	2074
FEOVEM063E	-	63-2"	50	16	70	147	43	108	124	19	4	259	92	189	91	2254
FEOVEM075E	-	75-2"1/2	65	10	80	165	46	128	144	19	4	266	92	189	91	2480
FEOVEM090E	-	90-3"	80	10	90	130	49	145	159	19	4	308	128	204	95.5	4000
FEOVEM110E	-	110-4"	100	10	105	150	56	165	190	19	4	322	128	204	95.5	4350

FKM

Κωδικός προϊόντος	tootiplmage
FEOVEM050F	-
FEOVEM063F	-
FEOVEM075F	-
FEOVEM090F	-
FEOVEM110F	-

FEOV/CE 90-240V AC DN 40-100

- Βάνα Πεταλούδα με Ηλεκτρικό Ενεργοποιητή

In addition to the manually actuated version, FE is also available in FE/ CE electrically actuated and FE/CP pneumatically actuated configurations. FE/CD and FE/CP are constructed with actuators meeting current regulations and selected by FIP according to their quality and reliability requirements. The efficiency of these valves, tested according to the company's quality standards, is guaranteed by the expertise and know-how that FIP dedicates to manufacturing its products.

- Electric actuator constructed according to FIP specifications; with plastic shell and standard emergency override. Available with voltages from 12 to 240V.
- Rack & pinion type pneumatic actuator constructed according to FIP specifications: fully protected against weather corrosion available in double-acting (DA) or simple-acting normally closed (NC) or normally open (NO) versions.
- Drilling pattern with oval slots that allow coupling to flanges according to numerous international standards.
- Interchangeable liner with the dual function of forming a hydraulic seal and isolating the body from the fluid.

- Disk in PVC-U with through shaft
- Zinc plated square section steel stem completely isolated from the fluid complying with standard ISO 5211:
- DN 40F-65: 11 mm
- DN 80F-100: 14 mm
- DN 125F-150: 17 mm
- DN 200: 22mm
- Can also be installed as an end line valve, bottom discharge valve or tank dump valve
- Valve material compatibility (PVC-U) with water conveyance, drinking water and other food substances according to current regulations
- Possibility of directly installing pneumatic and/or electric actuators with a standard drilling pattern according to standard ISO 5211 F05, F07, F10