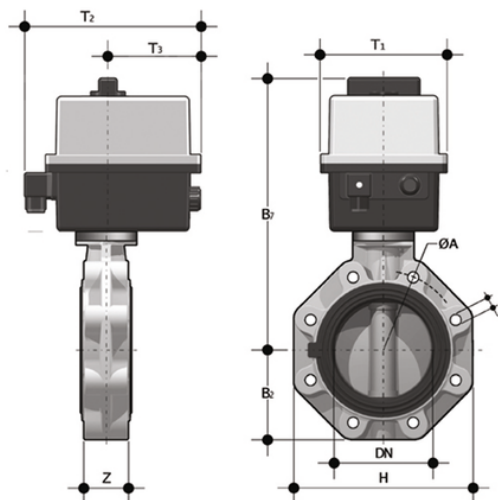


# FKOC/CE 90-240V AC LUG ISO-DIN DN 65-100 - electrically actuated butterfly valve

LUG ISO-DIN version butterfly valve with multi-volt electric actuator 90-240 V AC 50-60 Hz



## EPDM

Κωδικός προϊόντος	toolplmage
FKOLCEM075E	-
FKOLCEM090E	-
FKOLCEM110E	-

## FKM

Κωδικός προϊόντος	toolplmage
FKOLCEM075F	-
FKOLCEM090F	-
FKOLCEM110F	-