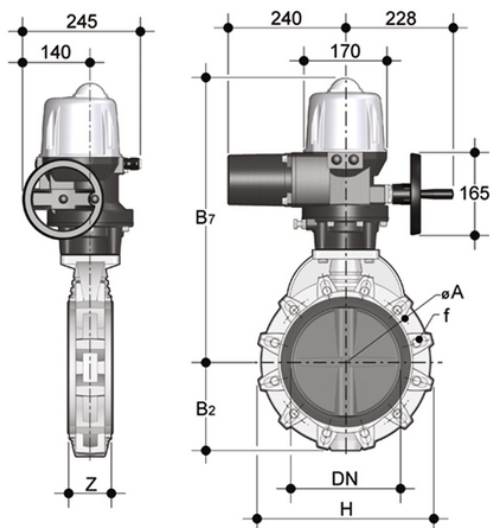


# FKOC/CE 90-240V AC LUG ANSI DN 250-300 - electrically actuated butterfly valve

LUG ANSI 150 version butterfly valve with multi-volt electric actuator 90-240 V AC 50-60 Hz



### EPDM

Κωδικός προϊόντος	tooliplmage
FKOALCEA810E	-
FKOALCEA812E	-

### FKM

Κωδικός προϊόντος	tooliplmage
FKOALCEA810F	-
FKOALCEA812F	-