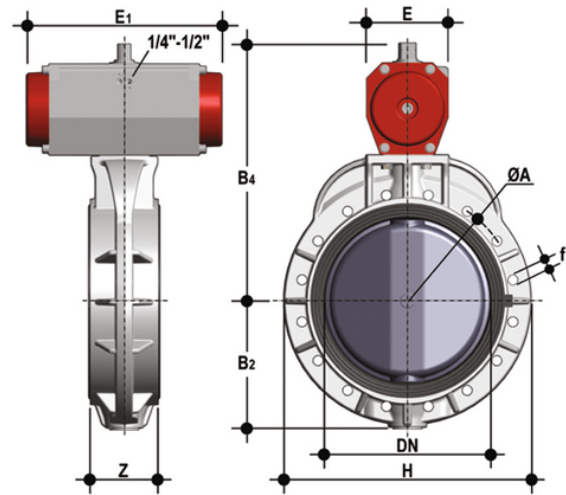


FKOM/CP NC DN 350-400 – pneumatically actuated butterfly valve

Pneumatically actuated butterfly valve, Normally Closed.



EPDM

| Κωδικός Προϊόντος | tooliplmage |
|-------------------|-------------|
| FKOMNC355E | - |
| FKOMNC400E | - |
| FKOAMNC814E | - |
| FKOAMNC816E | - |

FKM

| Κωδικός Προϊόντος | tooliplmage |
|-------------------|-------------|
| FKOMNC355F | - |
| FKOMNC400F | - |
| FKOAMNC814F | - |
| FKOAMNC816F | - |