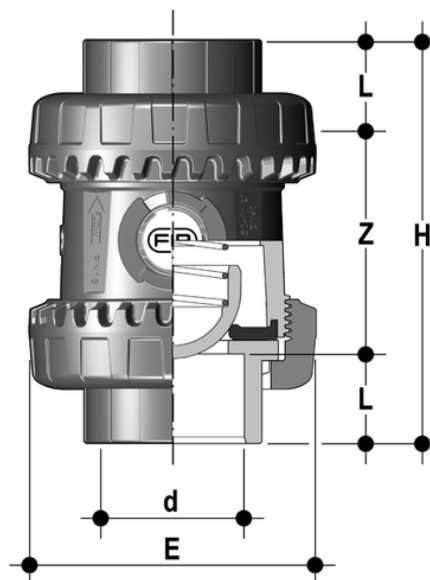


SSEIV – Easyfit True Union ball and spring

Αντεπίστροφο Μπίλιας και Ελατηρίου

Easyfit spring check valve with female ends for solvent welding, metric series



EPDM

Κωδικός προϊόντος	tooltiplmage	d	DN	PN	E	H	L	Z	g
SSEIV016E	-	16	10	16	54	82	14	54	146
SSEIV020E	-	20	15	16	54	82	16	50	149
SSEIV025E	-	25	20	16	63	91	19	53	188
SSEIV032E	-	32	25	16	72	103	22	59	292
SSEIV040E	-	40	32	16	85	120	26	68	445
SSEIV050E	-	50	40	16	100	139	31	77	640
SSEIV063E	-	63	50	16	118	174	38	98	1010

FKM

Κωδικός προϊόντος	tooltiplmage	d	DN	PN	E	H	L	Z	g
SSEIV016F	-	16	10	16	54	82	14	54	146
SSEIV020F	-	20	15	16	54	82	16	50	149
SSEIV025F	-	25	20	16	63	91	19	53	188
SSEIV032F	-	32	25	16	72	103	22	59	292
SSEIV040F	-	40	32	16	85	120	26	68	445
SSEIV050F	-	50	40	16	100	139	31	77	640
SSEIV063F	-	63	50	16	118	174	38	98	1010

SSEIV – Easyfit True Union ball and spring Αντεπίστροφο Μπίλιας και Ελατηρίου

- **Customisable Labelling System: built-in LCE module** on the valve body made up of transparent protection plug and customisable tag holder using the LSE set (available as accessory). The customisation potential lets you identify the valve on the system according to specific needs.
- **Optimised dynamic fluid design:** energy savings thanks to the improved valve Kv value with consequent pressure drop reduction
- High surface finish ball shutter: **wear reduction**, increase in working life and reduced valve maintenance. Ideal for conveying dirty fluids, even with suspended solids and filaments thanks to the special design that permits **internal valve selfcleaning**
- **Locked ball seat carrier:** safe dismantling for maintenance with the Easyfit multifunctional handle or Easytorque kit
- Ideal for horizontal installations: **perfect seal even with low back pressure. Silent** and durable even with strong vibrations and pulsating fluid
- PVC-U shutter and springs available made of STAINLESS steel 316, Hastelloy C276, A316 PTFE encapsulated: maximum reliability in a **wide field of applications** from salt water to aggressive acids

- Connection system for solvent weld and threaded joints
- **Valve material compatibility (PVC-U)** with water conveyance, drinking water and other food substances according to current regulations
- **PN16 True Union** valve body made for PVC-U injection moulding and European Directive 2014/68/EU (PED) compliant for pressurised equipment. ISO 9393 compliant test requirements
- **Short face to face dimension** according to international regulation ISO 7508 series III and European regulation EN 1452 βshortβ and fully interchangeable with VXE and VEE DN 10F-50 ball valve models
- Union nuts with rack for tightening adjustment via Easyfit handle or via Easytorque adjustment kit (available as accessories)
- **Vertical** (preferable for SXE model) and **horizontal installation** potential