

VAM RG TL

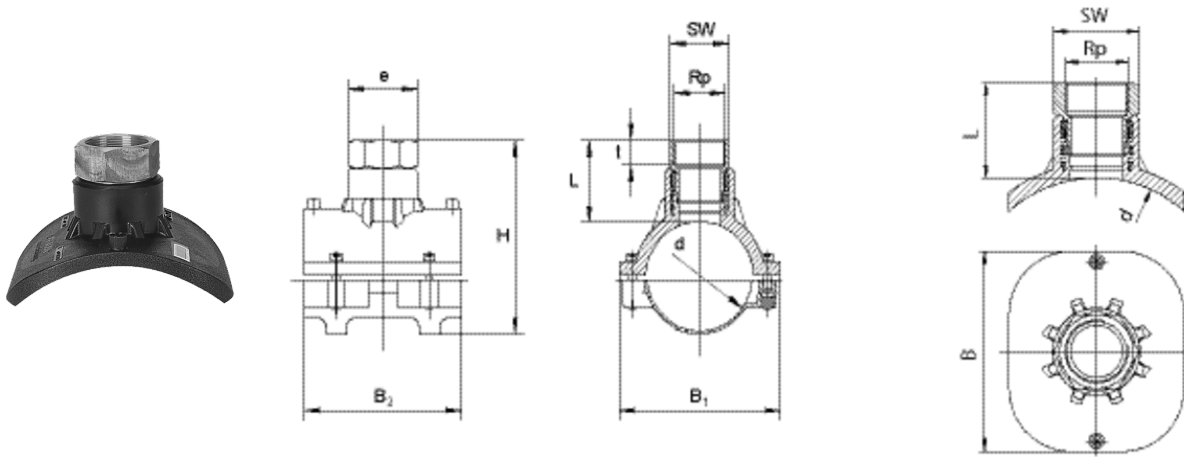
Valve Tapping Saddle Top-Loading with HD-PE/Gunmetal adapter, female thread

Suitable for all pipe diameters in the given range by means of the FRIATOP Clamping Unit (see application picture and Product Range FRIATOOLS Ref.-No. 613350).

Compact transition fitting. HD-PE saddle with exposed heating element for optimal heat transfer. Gunmetal adapter permanently anchored in the HD-PE. Cannot be released or rotated. To accept normal commercial brass valves. Metallic materials in contact with drinking water acc. to the recommendation of Umweltbundesamt, Germany.

Dimension range d 250 – d 560 fusible as standard using the top-loading method. Please note the maximum permissible wall thickness for tapping in the dimension range > d 315 - d 560. If required, please contact the manufacturer of the tapping equipment.

As a complete solution we recommend our Pressure Tapping Valve DAV-TL.



PE 100 SDR 11
 Maximum working pressure 16 bar (water)/10 bar (gas)



Κωδικός Προϊόντος	d	Rp	BX	PU	L	t	B	Weight kg
615470	250 - 560	2"	8	144	90	27	200	1,510