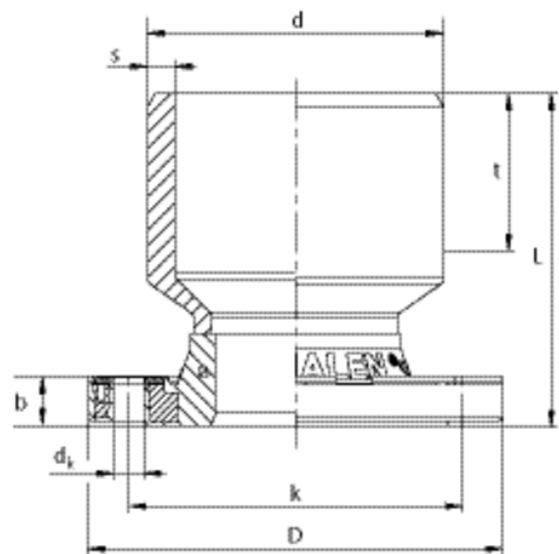


FLR

Συστολική φλάντζα

Compact fitting manufactured by factory from HD-PE reducer and FRIALEN EFL Full Face Flanges. Specially suited for the horizontal connection of flange valves to FRIALEN T-pieces T for reduced branches in DN 80 and DN 100. For the vertical connection of hydrants using our elbow including foot support WF 90° d 110 or the T-piece T, the installation depth must be taken into consideration. No internal welding bead at the weld seam of the reduction. Steel-reinforced elastomeric gaskets recommended.

Additional washers are necessary.



PE 100 SDR 11

Maximum working pressure 16 bar (water)



Κωδικός προϊόντος	d/DN	BX	PU	D	L	t	dk	Øk	s	b	Weight kg
616065	110/80	3	96	204	161	82	17	160	10	25	3,500
616241	160/100	2	64	224	180	85	17	180	14,6	27	4,060

FLR

Συστολική φλάντζα

Area of Application

The FRIALEN FLR flange reducer is used as material adapter. In addition, there are specific options for the direct connection of

Flange valves in reduced branches in connection with a FRIALEN T-piece or a FRIALEN Spigot Saddle SA

Hydrants at FRIALEN elbows with base WF 90° - d 110

The compact component ensures that the reduced flange connection is achieved easily, quickly and economically.

For the vertical connection of hydrants with elbows with base unit WF 90° or T-pieces T it is necessary to regard the height of coverage.

The constructive design eliminates the familiar cold flow behaviour of HD-PE around the flange connection. Protective measures against corrosion are not required.

Processing Advice

Fusion of the pipe socket takes place according to the FRIALEN assembly instructions. Flange design according to DIN EN 1092-1. Grommets are required for the flange connections. All standard profile and flat gaskets may be used. We recommend profile gaskets type G-St. Please observe gasket manufacturers' instructions with regards to screw torque.

Good reasons for FRIALEN FLR flange reducers:

Compact component for material connection and direct reduction

Simple valve integration

Fixed flange for maximum stability

No corrosion measures necessary for FLR

Safe assembly using screws, typical plastic cold flow behaviour eliminated due to intelligent construction

Component traceability through traceability barcode