

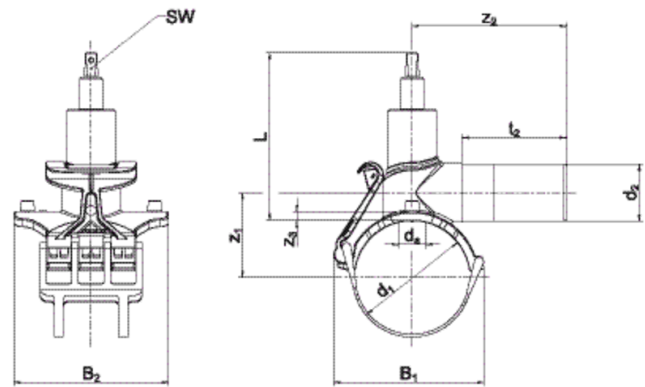
DAV

## Βαλβίδες πίεσης με μακριά έξοδο και μοχλό σύσφιξης RED SNAP

Compact fitting in HD-PE with no threaded connection. Actuating spindle in stainless steel 1.4305. No re-insulating required. Leak free and swarfless tapping up to 10 bar (gas) or 16 bar (water). Integral drill with upper and lower stop, guided in a metal sleeve. Max. 9 turns to activate "OPEN/CLOSE".

A complete tool-free mounting of the saddle by innovative fast clamping system (RED SNAP). By new design, 50 % of total installation time can be saved.

With exposed heating element for optional heat transfer. Maintenance free, operating isolating valve actuated by a rod (e.g. FRIALEN EBS). Length of the outlet spigots dimensioned for 2 fusion operations. Four cornered shaft wrench size 14 mm.



PE 100 SDR 11

Maximum working pressure 16 bar (water)/10 bar (gas)



	Κωδικός Προϊόντος	product.detail.attribute.d1Small	d <sub>2</sub>	BX	PU	L	t <sub>2</sub>	z <sub>1</sub>	z <sub>2</sub>	z <sub>3</sub>	B1	B2	SW	Drilling Ø d <sub>a</sub>	Turns open/close	Weight kg
1	617024	50	32	24	192	177	86	56	125	8	95	136	14	30	7	1,060
1	617025	63	32	24	192	177	86	63	125	10	108	146	14	30	7	1,100
1	617026	63	40	20	160	177	115	63	155	10	108	146	14	30	7	1,430
1	616952	63	63	20	160	177	115	63	155	10	108	146	14	30	7	1,210
1	617027	75	32	20	160	177	86	69	125	10	120	146	14	30	7	1,120
	616960	90	32	12	96	183	86	76	125	10	137	170	14	30	8	1,230
	616961	90	40	12	96	183	92	76	130	10	137	170	14	30	8	1,240
	616962	90	50	12	96	183	104	76	145	10	137	170	14	30	8	1,280
	616963	90	63	12	96	183	115	76	165	10	137	170	14	30	8	1,350
	616964	110	32	12	96	183	86	86	125	10	152	170	14	30	8	1,229
	616965	110	40	12	96	183	92	86	130	10	152	170	14	30	8	1,239



## Βαλβίδες πίεσης με μακριά έξοδο και μοχλό σύσφιξης RED SNAP

Κωδικός Προϊόντος	product.detail.attribute.d1Small	d <sub>2</sub>	BX	PU	L	t <sub>2</sub>	z <sub>1</sub>	z <sub>2</sub>	z <sub>3</sub>	B1	B2	SW	Drilling Ø d <sub>a</sub>	Turns open/close	Weight kg
616966	110	50	12	96	183	104	86	150	10	152	170	14	30	8	1,284
616967	110	63	12	96	183	115	86	170	10	152	170	14	30	8	1,356
616968	125	32	12	96	183	86	94	125	10	167	170	14	30	8	1,270
616969	125	40	12	96	183	92	94	135	10	167	170	14	30	8	1,280
616970	125	50	12	96	183	104	94	155	10	167	170	14	30	8	1,330
616971	125	63	12	96	183	115	94	170	10	167	170	14	30	8	1,400
616972	140	32	12	96	183	86	101	125	10	170	170	14	30	8	1,300
616973	140	63	12	96	183	115	101	175	10	170	170	14	30	8	1,430
616974	160	32	10	80	208	86	111	130	10	195	186	14	30	9	1,440
616975	160	40	10	80	208	92	111	140	10	195	186	14	30	9	1,450
616976	160	50	10	80	208	104	111	160	10	195	186	14	30	9	1,490
616977	160	63	10	80	208	115	111	180	10	195	186	14	30	9	1,570
616978	180	32	10	80	208	86	121	130	10	203	186	14	30	9	1,440
616979	180	40	10	80	208	92	121	145	10	203	186	14	30	9	1,450
616980	180	50	10	80	208	104	121	165	10	203	186	14	30	9	1,500
616981	180	63	10	80	208	115	121	180	10	203	186	14	30	9	1,570
616982	200	32	8	64	208	86	131	130	10	205	186	14	30	9	1,450
616984	200	63	8	64	208	115	131	185	10	205	186	14	30	9	1,590
616985	225	32	8	64	208	86	144	135	10	214	186	14	30	9	1,470
616986	225	40	8	64	208	92	144	150	10	214	186	14	30	9	1,490
616987	225	50	8	64	208	104	144	170	10	214	186	14	30	9	1,540
616988	225	63	8	64	208	115	144	190	10	214	186	14	30	9	1,620

<sup>1</sup> with electrofusion reducers MR d 63/40.

FRIALEN-Pressure Tapping Valves DAV ≤ d 63 can be used for pipes of SDR stage 11 and > d 63 of SDR stages 11 to 17.6. Minimum wall thickness s min ≥ 3 mm. Other SDR-stages on request. Please observe the marking directly at the product, which is mandatory. DVGW-Registration No. DV-6611AU2255

**DAV**

## Βαλβίδες πίεσης με μακριά έξοδο και μοχλό σύσφιξης **RED SNAP**

### Areas of Application

The FRIALEN-Pressure Tapping Valves DAV are used for branches of unpressurised and pressurised gas and water pipelines. Outlet spigots are prepared for integration of excess flow valves.

### Assembly Instructions

The fusion of the HD-PE distribution pipes and the service pipes with FRIALEN-Pressure Tapping Valves takes place by FRIALEN-fusing – leakproof and longitudinally strong.

The saddle and the outlet spigot have to be prepared according to the general assembly instructions (see “Assembly Instructions” for “FRIALEN-Safety Fittings for house service and supply pipes up to d 225”). This involves removing the oxide layer and cleaning the pipe surface covered by the saddle as well as the outlet spigot and the pipe end.

The assembly of the pressure tapping valve with fast clamping mechanism takes place within seconds with the fast clamping lever RED SNAP without additional tools.

For „Open/Close” the pressure tapping valve require 8 to 9 turns, depending to the dimension and design, by using an operating key type E according to DIN 3223.

(The tapping process need less turns, because of the intermediate position of the drill in supplied condition).

### Good reasons for using the FRIALEN Pressure Tapping Valves DAV with fast clamping lever RED SNAP:

Compact part, solid injection molded body made from HD-PE

Simple and reliable assembly without any tool, thanks to the patented fast clamping lever RED SNAP

The flexible saddle compensates pipe tolerances and provides always an optimal, uniform buildup of melt pressure during the fusion

Fusing and tapping of the main under maximum permitted operating pressure gas/water

Simple start-up of the pressure tapping valve because of little tapping forces

No preventive measures necessary with regard to corrosion

Actuating spindle made from corrosion-resistant steel

Swarfless tapping due to rotating punching drill made of stainless steel

Punched-out pipe piece fits securely and permanent in the drill

Drill with solid upper and lower stop

Length of outlet spigot dimensioned for two fusion operations

Barcode exposed on fast clamping lever RED SNAP for easy scanning with readerwand or barcode scanner

Installation set DBS (EBS) is continuously telescopic and self supported in any extended position

Installation set with a sleeve tube bell with integrated locking function: connects the installation kit firmly to the DAV, unintentional release is prevented

A foam rubber ring in the sleeve tube bell prevents dirt from penetrating into the installation set

**DAV**

## Βαλβίδες πίεσης με μακριά έξοδο και μοχλό σύσφιξης **RED SNAP**

Subsequent tapping with the installation set DBS (EBS) from the surface box is possible

High torques can be transferred because of a solid construction