

GAB

Φυσητήρας αερίου **GAB** για εξαερισμό **PE-HD** γραμμών αερίου

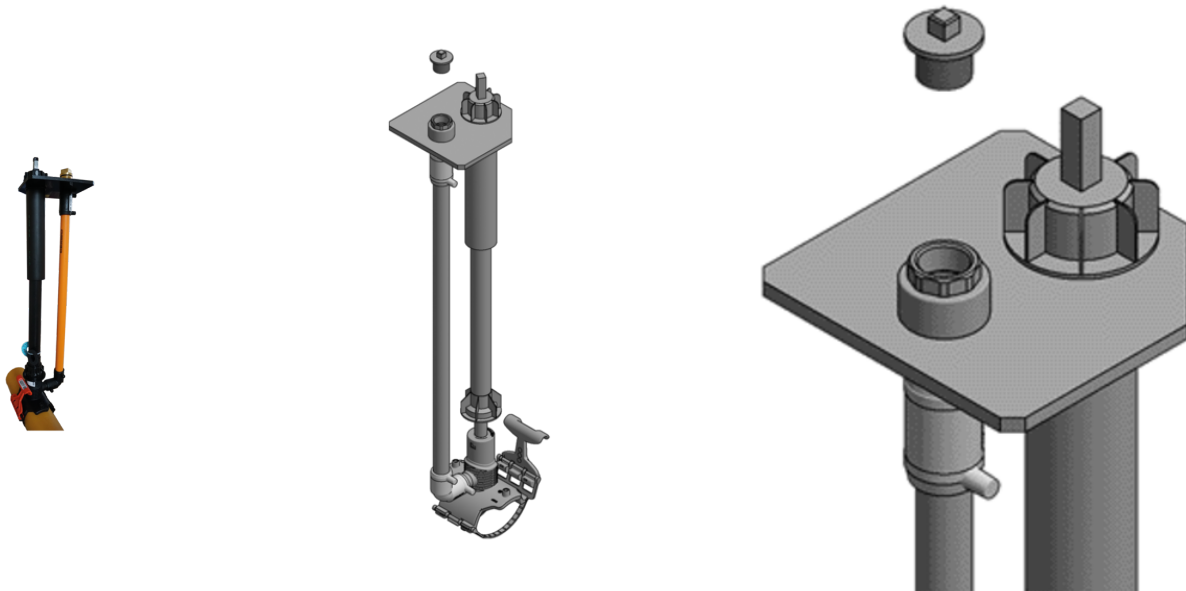
The FRIALEN purge stack GAB is used for venting pressurized gas pipes during filling or in operation for use as a measuring point fitting for verification of the odorization content.

The FRIALEN purge stack GAB is available in two versions:

with blow-out 1" and purge stack plate available in square design,

with blow-out 2" and purge stack plate available in diagonal design.

The venting pipe of the FRIALEN purge stack GAB is one metre long as standard and can be adapted to the respective cover height on site. Longer venting pipes are available on request, please note when ordering. The actuating rods (installation set EBS) can be infinitely adjusted within the specified range without additional tools.



PE 100 SDR 11

Maximum working pressure 10 bar (gas)



Κωδικός προϊόντος	product.detail.attribute.d1Small	RD in m	BX	R	Weight kg
2006380	63	0,7 - 1,0	1	1"	4,440
2006383	63	0,7 - 1,0	1	2"	6,710
2009080	90	0,7 - 1,0	1	1"	5,240
2009083	90	0,7 - 1,0	1	2"	7,400
2011080	110	0,7 - 1,0	1	1"	4,740
2011083	110	0,7 - 1,0	1	2"	6,800
2012580	125	0,7 - 1,0	1	1"	5,700
2012583	125	0,7 - 1,0	1	2"	7,850
2016080	160	0,7 - 1,0	1	1"	6,200
2016083	160	0,7 - 1,0	1	2"	8,330

GAB

Φυσητήρας αερίου **GAB** για εξαερισμό **PE-HD** γραμμών αερίου

Κωδικός Προϊόντος	product.detail.attribute.d1Small	RD in m	BX	R	Weight kg
2018080	180	0,7 - 1,0	1	1"	6,200
2018083	180	0,7 - 1,0	1	2"	8,340
2022580	200	0,7 - 1,0	1	1"	6,300
2022580	225	0,7 - 1,0	1	1"	6,300
2022583	225	0,7 - 1,0	1	2"	8,440

GAB

Φυσητήρας αερίου **GAB** για εξαερισμό **PE-HD** γραμμών αερίου

Execution and scope of delivery

The FRIALEN purge stack GAB is available in two executions;
with blow-out 1" and purge stack plate available in square design,
with blow-out 2" and purge stack plate available in diagonal design.

Areas of Application

The FRIALEN purge stack GAB is used for venting pressurized gas pipes during filling or in operation for use as a measuring point fitting for verification of the odorization content.

Assembly Instructions

The venting pipe of the FRIALEN purge stack GAB is one metre long as standard and can be adapted to the respective cover height on site. Longer venting pipes are available on request, please note when ordering.

The actuating rods (installation set EBS) can be infinitely adjusted within the specified range without additional tools.

The fusion of the FRIALEN purge stack GAB fitted with the pressure tapping valve (DAV) to the PE-HD pipe takes place using FRIALEN-fusing – leakproof and longitudinally strong.

Good reasons for using the FRIALEN Purge stack GAB:

Compact design

Maximum working pressure up to 10 bar (MOP 10)

Easy installation of all components and flexible adjustment of the venting pipe to the respective cover height on site

Purge stack plate suitable for all valve boxes type DIN 3582

Plug with safety vent hole

Plug with manufacturer confirmation for gas applications → quality plug

Venting pipe and purge stack plate are torsion resistant connected

Purge stack plate routes the actuating rod and define the position of the purge stack cap

Locking pipe anchors itself in the ground and absorbs the actuating force

All components (except quality plug with safety vent hole) with DVGW-Registration