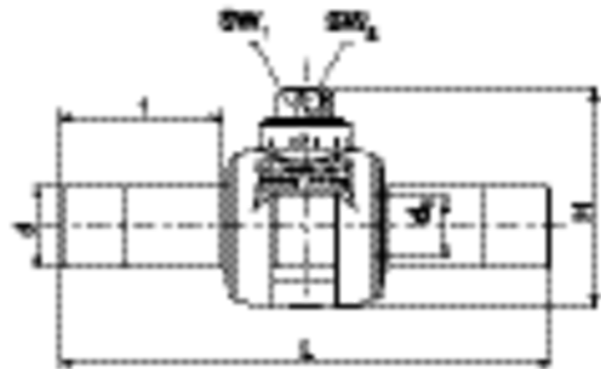


KHP

Σφαιρικές βάνες από HD-PE με NBR-στεγανοποίηση, 1/4-Στροφή

Compact ball valve in HD-PE with spigots for use with FRIALEN couplers MB or UB. No corrosion proofing required. Open and closed position with definite stop. Maintenance free ball valve, operated by a rod (e.g. FRIALEN BS Installation kits for Ball Valves and Tapping Ball Valves).

Maximum clearance diameter d_1 .



PE 100 SDR 11

Maximum working pressure 10 bar (gas)



| Κωδικός προϊόντος | d | product.detail.attribute.d1Small | BX | PU | L | t | sw1 | sw2 | H | Weight kg |
|-------------------|-----|----------------------------------|----|-----|-----|-----|---------|-----|-----|-----------|
| 612490 | 32 | 24 | 1 | 170 | 310 | 96 | 50 x 50 | 20 | 136 | 0,540 |
| 612497 | 40 | 24 | 1 | 170 | 310 | 96 | 50 x 50 | 20 | 136 | 0,580 |
| 612492 | 50 | 24 | 1 | 170 | 310 | 96 | 50 x 50 | 20 | 136 | 0,680 |
| 612494 | 63 | 43 | 1 | 50 | 410 | 128 | 50 x 50 | 25 | 193 | 2,300 |
| 612495 | 90 | 67 | 1 | 24 | 553 | 154 | 50 x 50 | 25 | 241 | 4,200 |
| 612493 | 110 | 67 | 1 | 24 | 553 | 154 | 50 x 50 | 25 | 241 | 4,500 |
| 612496 | 125 | 67 | 1 | 24 | 553 | 154 | 50 x 50 | 25 | 241 | 5,200 |
| 612483 | 160 | 98 | 1 | 8 | 539 | 202 | 50 x 50 | 25 | 332 | 12,000 |
| 615309 | 180 | 98 | 1 | 8 | 539 | 202 | 50 x 50 | 25 | 332 | 12,500 |
| 612480 | 200 | 98 | 1 | 8 | 539 | 202 | 50 x 50 | 25 | 332 | 13,500 |
| 616186 | 225 | 98 | 1 | 8 | 539 | 202 | 50 x 50 | 25 | 332 | 14,500 |

FRIALEN-Safety Fittings can be fused to pipes of SDR-stages 11 to 17.6. Minimum wall thickness $s_{min} \geq 3$ mm. Other SDR-stages on request. Please observe the marking directly at the product, which is mandatory. DVGW-Registration Nos.: DG-8631AU2251, DG-8631AU2252 and DG-8631AU2253

KHP

Σφαιρικές βάνες από HD-PE με NBR-στεγανοποίηση, 1/4-Στροφή

Areas of Application

The FRIALEN-Ball Valve KHP with NBR-sealing is suitable for shutting off sections of the main and also for isolating house connection pipes. The Ball Valve KHP can be applied in pipe systems for gas supply and for compressed air.

The Ball Valve KHP is opened and closed by a 1/4-turn with the installation kit BS. The installation kit allows the operation from the street cap and is optimal adapted to the FRIALEN-Ball Valve KHP. For further information see this data sheet page 2. or data sheet installation kit BS No. 22/00.

Assembly Instructions

The FRIALEN-Ball Valve KHP is connected to the pipe by using Couplers, Elbows or T-Pieces fused to its ends. It is suitable both for shutting off sections of the main and also for isolating house connection pipes.

The connection with HD-PE pipes takes place by FRIALEN-fusing – leakproof and longitudinally strong.

The spigot ends to be fused are prepared according to the general installation instructions (see "Assembly Instructions" for "FRIALEN-Safety Fittings for house connections and distribution pipes up to d 225"). This involves removing the oxide layer and cleaning the pipe ends.

Before fusion the FRIALEN-Ball Valve KHP must be lined up to suit the type of actuation intended, in order to ensure that the installation kit BS will be placed correctly.

Good reasons for using the FRIALEN-Ball Valve KHP:

The FRIALEN-Ball Valve provides a completely fused HD-PE pipe network, without transitions to other materials or flange connections

Another step towards a pure PE-pipe system

Floating ball, axial seals in the ball axle and combination of ball guidance and ball seal in one part compensate for bending defects

No deposits on internal areas, resistant to chemical and electrical reactions

No corrosion proofing required

Particularly little pressure loss, optimum flow speed

Low activating element, low weight

Extra long spigot ends dimensioned for two fusion operations

Actuating of the KHP with the telescopic installation kit BS

Additional barcode for tracing back the underground fitting (Traceability-Coding)