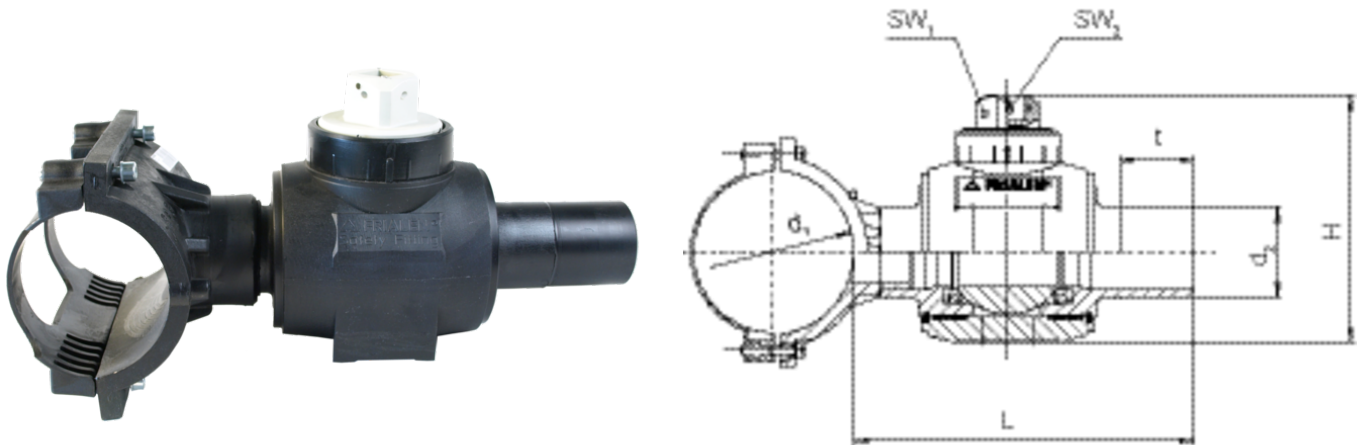


AKHP

Tapping Ball Valves in HD-PE, 1/4 turn, for side tapping under pressure

Compact tapping ball valve in HD-PE. Factory made combination of FRIALEN Saddle Moulding and FRIALEN Ball Valve with spigot for space and cost saving horizontal installation especially for integration of branches into mains under operating pressure. Leakage and swarf free tapping up to 10 bar (gas) and standard tapping equipment (we recommend Hütz & Baumgarten (www.huetz-baumgarten.de)). With exposed heating element for optimal heat transfer.



PE 100 SDR 11

Maximum working pressure 10 bar (gas)



Κωδικός Προϊόντος	product.detail.attribute.d1Small	d ₂	BX	PU	L	t	sw1	sw2	H	Drilling Ø d _α	Weight kg
615427	110	63	6	48	330	110	50 x 50	25	180	42	3,070
615428	110	90	4	32	335	90	50 x 50	25	240	60	4,670
615431	125	90	4	32	335	90	50 x 50	25	240	60	4,790
615433	160	63	4	32	330	110	50 x 50	25	180	42	3,300
615434	160	90	4	32	335	90	50 x 50	25	240	60	5,000
615437	180	90	4	32	335	90	50 x 50	25	240	60	5,000
615440	225	90	4	32	335	90	50 x 50	25	240	60	5,000

FRIALEN-Tapping Ball Valves can be used for pipes of SDR stages 11 to 17.6. DVGW-Registration Nos. AKHP: DG-8631AU2252 and DG-8631AU2253

For tapping of pipes under pressure we recommend tapping equipment of Hütz + Baumgarten.

AKHP

Tapping Ball Valves in HD-PE, 1/4 turn, for side tapping under pressure

Areas of Application

The FRIALEN-Tapping Ball Valve, completely made from HD-PE, makes it possible to tap sideways into an operational HD-PE mains under gas and water pressure – without any escape of gas or water.

Assembly Instructions

The fusion of FRIALEN Tapping Ball Valves to the HD-PE main takes place by FRIALEN fusing – leakproof and longitudinally strong. The pipe and the saddle have to be prepared (oxide layer removal/cleaning) in accordance with the general installation instructions (see „Assembly Instructions“ for FRIALEN Safety Fittings for house connections and distribution pipes up to d 225).

Tapping of the HD-PE pipe under operating pressure

For this we recommend the tapping equipment of Hütz + Baumgarten. It is clamped onto the exposed fusion end of the ball valve. The tapping of the HD-PE pipe takes place through the opened ball valve and is leakage free.

Actuating the shut-off valve

By the telescopic actuating installation kit BS from the valve cover.

Good reasons for using the FRIALEN-Tapping Ball Valves:

Fusioning and tapping under pressure saves time-consuming and expensive shut-offs and emergency supply during the integration

Installation of mains and service lines takes place on one level and thus affords advantages in the planning stages

Construction and connecting works are reduced to a minimum

The ball valve can be used as a shut-off device afterwards

Additional barcode for tracing back the underground fitting (Traceability-Coding)