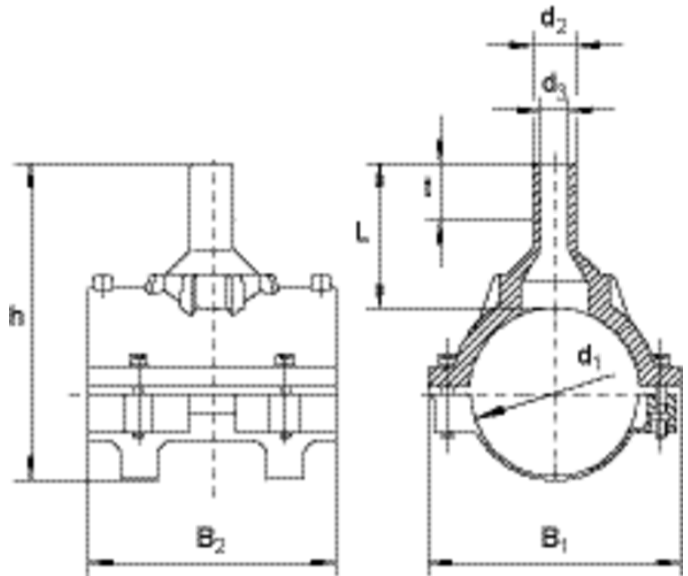


# SA

## Spigot Σέλες

Compact fitting in HD-PE, saddle with exposed heating element for optimal heat transfer and outlet spigot for use with FRIALEN couplers MB or UB. Swarfless tapping in the depressurised state by means of commercial drilling units (we recommend Hütz & Baumgarten ([www.huetz-baumgarten.de](http://www.huetz-baumgarten.de))).

For tapping under pressure, please contact our hotline: +49 621 486-2325.



PE 100 SDR 11

Maximum working pressure 16 bar (water)/10 bar (gas)



Κωδικός προϊόντος	product.detail.attribute.d1Small	d <sub>2</sub>	BX	PU	d <sub>3</sub>	L	t	h	B1	B2	Drilling Ø d <sub>a</sub>	Weight kg
612757	63	32	20	360	22	100	44	171	108	118	20	0,330
612759	63	50	20	360	37	113	55	184	108	118	36	0,370
615020	75	50	15	270	38	82	55	167	110	125	36	0,430
615285	90	32	20	160	21	103	44	207	155	150	20	0,700
612819	90	63	20	160	50	103	63	207	155	150	46	0,720
615334	110	32	12	96	24	125	51	238	178	180	20	0,788
615031	110	50	12	96	39	132	60	245	178	180	36	0,816
612760	110	63	12	96	49	150	81	263	178	180	46	0,868
615411	110	90	12	96	70	115	79	228	165	190	65	0,960
615087	125	32	12	96	21	109	44	248	190	185	20	0,945
612761	125	63	12	96	47	109	63	248	190	185	46	0,990
615412	125	90	12	96	70	116	79	243	185	205	65	1,080
615584	125	110	10	80	86	116	82	243	185	205	84	1,150
612886	160	32	8	64	21	126	44	289	223	265	20	1,440

SA

## Spigot Σέλες

Κωδικός Προϊόντος	product.detail.attribute.d1Small	d <sub>2</sub>	BX	PU	d <sub>3</sub>	L	t	h	B1	B2	Drilling Ø d <sub>a</sub>	Weight kg
612762	160	63	6	48	47	140	63	303	223	265	46	1,520
615413	160	90	2	36	70	140	79	303	223	265	65	1,640
615739	160	110	2	36	86	140	82	303	223	265	84	1,765
615585	160	125	2	36	98	140	87	303	223	265	95	1,880
612763	180	63	6	48	47	109	63	291	240	195	46	1,190
615414	180	90	2	36	70	116	79	312	241	285	65	1,820
615948	180	110	2	36	86	136	82	319	241	285	84	1,960
615740	180	125	2	36	98	141	87	324	241	285	95	2,110
612764	200	63	5	40	47	109	63	311	250	195	46	1,260
612765	225	63	5	40	47	109	63	336	255	195	46	1,210
615415	225	90	5	40	70	130	79	358	284	279	65	1,950
616044	225	110	5	40	86	140	82	368	284	279	84	1,960
616045	225	125	4	32	97	146	87	374	284	279	95	2,240
616046	225	160	4	32	125	157	98	385	284	279	123	2,580

FRIALEN-Safety Fittings can be fused to pipes of SDR stages 11 to 17.6. Saddle parts d 63 can only be fused to pipes of SDR stage 11. Minimum wall thickness  $s_{min} \geq 3$  mm. Other SDR-stages on request. Please observe the marking directly at the product, which is mandatory. DVGW-Registration-Nos.: DV-8601AU2248 and DV-8606AU2249

# SA

## Spigot Σέλες

### Areas of Application

The FRIALEN-Spigot Saddles SA are used for tapping of depressurised gas- and waterpipes as well as for pressure drainage. The branch line is connected with the outlet spigot by using a FRIALEN coupler UB.

### Assembly Instructions

The fusion of the HD-PE distribution pipes and the house connections with FRIALEN-Spigot Saddles SA takes place by FRIALEN-fusing – leakproof and longitudinally strong.

The saddle and the outlet spigot have to be prepared according to the general installation instructions (see “Assembly Instructions” for “FRIALEN-Safety Fittings for house connections and distribution pipes up to d 225”). This involves removing the oxide skin and cleaning the pipes covered by the saddle and the coupler.

Swarfless tapping up to Ø 46 mm, from Ø 65 to Ø 123 mm extremely swarf-reduced by using the tapping equipment of Hütz + Baumgarten.

For pipes without pressure spigot saddles SA can be used as a T-piece with a reduced outlet.

For tapping the main line under operating pressure, please contact our Application Engineering Department.

### Good reasons for using the FRIALEN-SA:

Compact construction

exposed heating element for optimal heat transfer

Preassembled unit without loose parts

Nearly swarfless tapping by tapping equipment of Hütz + Baumgarten

Low tapping power

Burr - and nearly ledge - free tapping for a maximum of hydraulic power.

Leakage free tapping possible by means of a shut off element

Extra wide fusion zone

Additional barcode for tracing back the fitting (Traceability-Coding)