

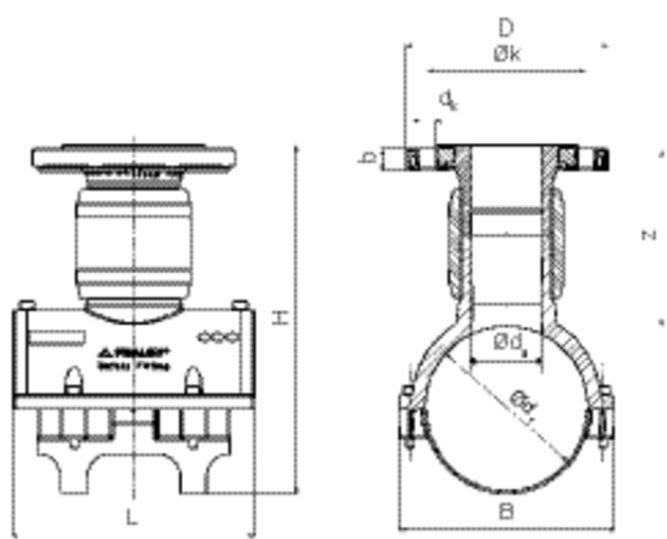
SAFL

Spigot Σέλα με έξοδο φλάντζας

Compact fitting in HD-PE. Manufactured combination of FRIALEN spigot saddle, coupler and FRIALEN Full Faced Flanges EFL (compact flange). Saddle with exposed heating coil for optimum heat transfer. Tapping in pressure free condition or, using an additional shut-off valve, under operating pressure by means of standard tapping equipment (we recommend Hütz & Baumgarten (www.huetz-baumgarten.de)). We recommend steel-reinforced elastomeric gaskets.

Additional washers are necessary for the flange reducer.

For tapping under pressure, please contact our hotline: +49 621 486-2325.



PE 100 SDR 11

Maximum working pressure 16 bar (water)



Κωδικός Προϊόντος	product.detail.attribute.d1SmallDN	BX	PU	D	L	B	dk	Z	Ø k	H	b	Drilling Ø d _a	Weight kg
616016	110/80	3	54	204	190	165	16,5	180	160	296	25	65	3,700
616017	125/80	2	36	204	205	185	16,5	180	160	311	25	65	3,940
616018	160/80	2	36	204	245	217	16,5	180	160	346	25	65	4,320
616019	180/80	2	36	204	285	241	16,5	180	160	366	25	65	4,610
616020	225/80	2	16	204	284	286	16,5	180	160	411	25	65	4,720
616022	160/100	2	36	224	245	217	16,5	180	180	346	27	84	5,270
616024	225/100	2	16	224	284	286	16,5	180	180	411	27	84	5,635

FRIALEN-Safety Fittings can be fused to pipes of SDR stages 11 to 17.6. Other SDR-stages on request. Please observe the marking directly at the product, which is mandatory. DVGW-Registration No.: DV-8606AU2249

SAFL

Spigot Σέλα με έξοδο φλάντζας

Areas of Application

The FRIALEN Spigot Saddle with Flange Outlet SAFL is used for the integration of flange valves and hydrants up to PN 16.

Assembly Instructions

The saddle of the SAFL is mounted and fused onto the HD-PE mains. Drilling into the HD-PE mains can take place without pressure in the mains

under operating pressure on application of a gate-valve on the flange side

using standard drill equipment. We recommend Hütz + Baumgarten.

The fusion of the saddle piece with the HD-PE mains takes place using FRIALEN-fusion –leakproof and longitudinally strong. Saddle and HD-PE mains are prepared according to the general installation instructions (see Assembly Instructions for "FRIALEN-Safety Fittings for house connections and distribution pipes up to d 225"). This involves removing oxide skin.

The flange connection measurements correspond to DIN EN 1092-1. Supplementary washers are required.

All standard profile and flat gaskets can be used. Torques advised by the gasket manufacturer must be observed. We recommend profile gaskets of type G-St.

Good reasons for using the FRIALEN-Spigot Saddle with Flange Outlet SAFL:

Compact component from HD-PE

Flange adaptor and flange are one component. They make up one homogeneous unit

Factory made combination of FRIALEN-Spigot Saddle, FRIALEN-Coupler and Full Faced Flange

Smooth on the inside and no fusion bead at the connection between SA and EFL, optimum hydraulics

The cold flowing properties well known with HD-PE are avoided by constructive flange design

Solid construction. Integration of the flange prevents tear-off

Short overall length for horizontal and vertical installation

Top stability due to great wall thickness

Extremely economical solution

Additional barcode for tracing back the underground fitting (Traceability-Coding)