

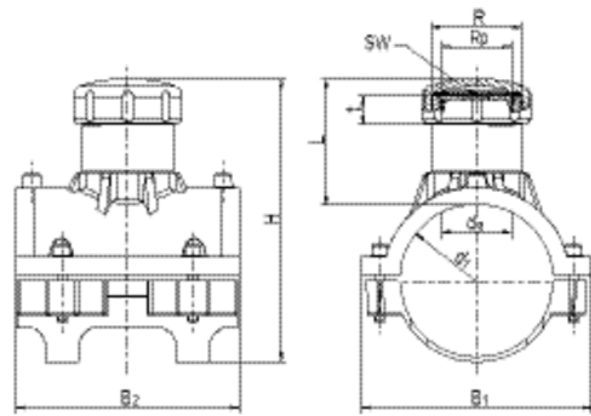
SPA

Balloon Shut off Saddles

Compact fitting suitable for available balloon shut-off equipment. HD-PE saddle with exposed heating element for optimal heat transfer. Brass-guide thread permanently and immovably anchored in the HD-PE. Cannot be released or rotated. Includes brass plugs with square recess.

Protection against access to the stack by fusing on a FRIALEN SPAK (when using d 63 through cap K order no. 612310).

When using hydrogen, the SPA Balloon Shut off Saddles should only be used in conjunction with sealing cap SPAK (order no. 612311).



PE 100 SDR 11

Maximum working pressure 16 bar (water)/10 bar (gas)



	Κωδικός προϊόντος	product.detail.attribute.d1Small	Rp	BX	PU	R	L	t	H	B1	Drilling Ø d _a	Weight kg
1	612753	63	1 1/8"	20	360	1 1/2"	80	19	151	108	31	0,610
	612677	90	2"	16	128	2 1/2"	104	24	197	156	56,5	1,390
	612750	110	2"	12	96	2 1/2"	104	24	217	178	56,5	1,480
	612751	125	2"	12	96	2 1/2"	104	24	232	190	56,5	1,690
	612752	160	2"	8	64	2 1/2"	104	24	267	230	56,5	1,830
	612754	180	2"	7	56	2 1/2"	104	24	287	235	56,5	1,830
	612755	200	2"	6	48	2 1/2"	104	24	307	252	56,5	1,910
	612756	225	2"	5	40	2 1/2"	104	24	332	258	56,5	1,920

¹ Shut off Saddles d 63 may only be processed using pipes up to SDR 11.

FRIALEN-Shut off Saddles from d 90 can be fused to pipes of SDR stages 11 to 17.6. Minimum wall thickness s_{min} ≥ 3 mm. Other SDR-stages on request. Please observe the marking directly at the product, which is mandatory. DVGW-Registration No.: DV-8601AU2248, DV-8606AU2249

SPA

Balloon Shut off Saddles

Areas of Application

FRIALEN-Shut off Saddles SPA are suitable for blocking media by the use of commercial shut off equipment or for vending/flushing.

Assembly Instructions

The fusion of the HD-PE mains and the FRIALEN-Shut off Saddle takes place by FRIALEN-fusing – leakproof and longitudinally strong.

The pipe and the saddle have to be prepared according to the general installation instructions (see "Assembly Instructions" for "FRIALEN-Safety Fittings for house connections and distribution pipes up to d225"). This involves removing the oxide skin and cleaning the pipe covered by the saddle.

Good reasons for using the FRIALEN-Shut off Saddles SPA:

Compact construction

HD-PE saddle with exposed heating element for optimal heat transfer

Compact part suitable for normal commercial shut off equipment and for tapping of the mainpipe

Long and solid brass-external thread for a safe connection of the shut off equipment

Brass-internal thread for a safe sealing by using a plug, permanently and immovable anchored in the HD-PE

Includes brass plugs with square recess

Protection against access to the dome by fusing on a FRIALEN SPAK or K

DVGW registered

Additional barcode for tracing back the underground fitting (Traceability-Coding)