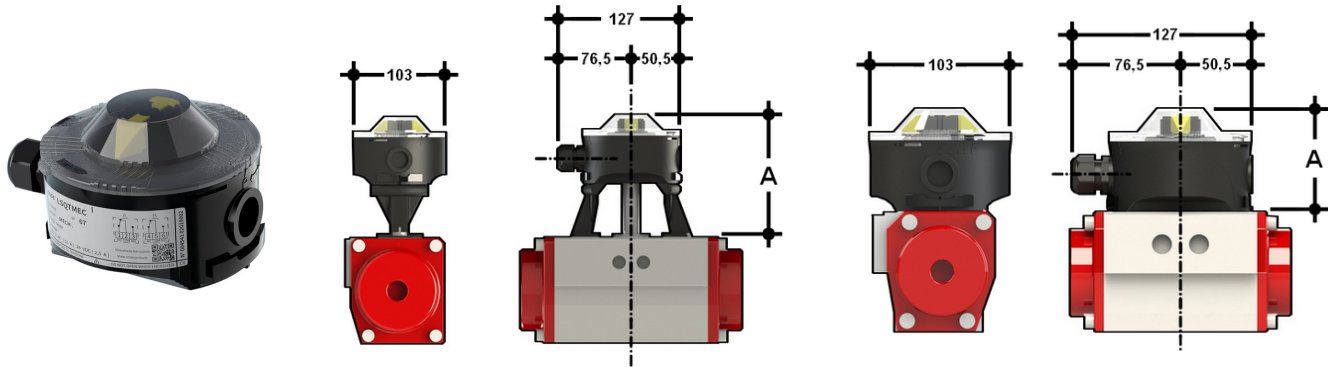


LSQTMEC Electromechanical microswitches box

IP67 box containing two electro-mechanical microswitches and configurable optical indicator



Reference	tootlimage	system	Category	family	To be used with:	DN
LSQTMEC	-	Special parts and accessories	Accessories for actuated valves	Accessories for pneumatic valves	VKD - TKD - FE - FK - VXE	65 ÷ 100