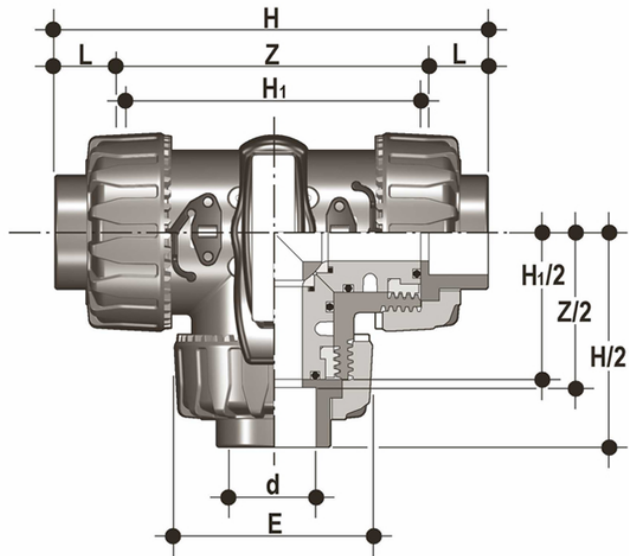


# LKDIA - DUAL BLOCK® 3-WAY BALL VALVE

DUAL BLOCK® 3-way ball valve with metric plain socket ends for solvent welding, L bore.



## EPDM

Reference	tooltimage	system	Category	family	series	d	DN	PN	E	H	H <sub>1</sub>	L	Z	g
LKDIA020E	-	ABS system	Manual valves	Ball valves	TKD DN 10÷50	20	15	16	54	118	80	16	86	310
LKDIA025E	-	ABS system	Manual valves	Ball valves	TKD DN 10÷50	25	20	16	65	145	100	19	107	550
LKDIA032E	-	ABS system	Manual valves	Ball valves	TKD DN 10÷50	32	25	16	73	160	110	22	116	790
LKDIA040E	-	ABS system	Manual valves	Ball valves	TKD DN 10÷50	40	32	16	86	188.5	131	26	136.5	1275
LKDIA050E	-	ABS system	Manual valves	Ball valves	TKD DN 10÷50	50	40	16	98	219	148	31	157	1660
LKDIA063E	-	ABS system	Manual valves	Ball valves	TKD DN 10÷50	63	50	16	122	266.5	179	38	190.5	2800

## FKM

Reference	tooltimage	system	Category	family	series	d	DN	PN	E	H	H <sub>1</sub>	L	Z	g
LKDIA020F	-	ABS system	Manual valves	Ball valves	TKD DN 10÷50	20	15	16	54	118	80	16	86	310
LKDIA025F	-	ABS system	Manual valves	Ball valves	TKD DN 10÷50	25	20	16	65	145	100	19	107	550
LKDIA032F	-	ABS system	Manual valves	Ball valves	TKD DN 10÷50	32	25	16	73	160	110	22	116	790
LKDIA040F	-	ABS system	Manual valves	Ball valves	TKD DN 10÷50	40	32	16	86	188.5	131	26	136.5	1275
LKDIA050F	-	ABS system	Manual valves	Ball valves	TKD DN 10÷50	50	40	16	98	219	148	31	157	1660
LKDIA063F	-	ABS system	Manual valves	Ball valves	TKD DN 10÷50	63	50	16	122	266.5	179	38	190.5	2800

# LKDIA - DUAL BLOCK® 3-WAY BALL VALVE

- Ergonomic HIPVC handle equipped with removable tool to adjust the ball seat carrier. Possibility of installing the **LTKD stroke limiter** (available as an accessory) that permits ball and handle rotation only for set opening and closing angles at 90° or 180°
- **Handle lock 0°- 90° SHKD** (available as an accessory) ergonomically operable during service and padlockable
- **DUAL BLOCK®** patented lock system that ensures union nut tightening hold even in severe conditions such as vibrations or heat dilation
- **Ball shutter** high surface finish with floating type full passage with **T or L port**
- **4 PTFE ball seat system** that compensates axial force guaranteeing optimal manageability and long working life
  
- Connection system for solvent weld, threaded and flanged joints
- Patented **SEAT STOP®** ball carrier system that lets you micro-adjust ball seats and minimise axial force effects
- Easy radial dismounting allowing quick replacement of O-rings and ball seats without any need for tools
- **PN16 True Union valve body** made for rigid PVC-U injection moulding equipped with built-in bores for actuation. ISO 9393 compliant test requisites
- Option of dismounting downstream pipes with the valve in the closed position
- High surface finish stem with double O-Ring and double connection key to the ball, equipped with **visual ball position indicator** for correct handle installation
- **Integrated bracket** for valve anchoring
- Possibility of installing pneumatic and/or electric actuators thanks to the robust anchor tower for easy and quick automation using the **Power Quick module** (optional)
- Possibility to have handle with integrated LSQT limit micro switch, even as a retrofit in existing installations