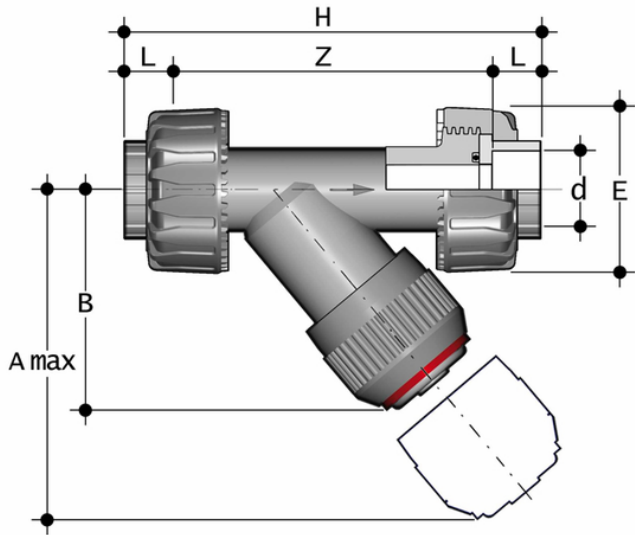


RVUIA - Sediment strainer DN 15:50

Sediment strainer with female union ends for solvent welding, metric series.



EPDM

Reference	system	Category	family	series	d	DN	PN	A max	B	E	H	L	Z	g
RVUIA020E	ABS system	Manual valves	Auxiliary valves	RV DN 10÷100	20	15	16	125	72	55	135	16	103	231
RVUIA025E	ABS system	Manual valves	Auxiliary valves	RV DN 10÷100	25	20	16	145	84	66	158	19	120	392
RVUIA032E	ABS system	Manual valves	Auxiliary valves	RV DN 10÷100	32	25	16	165	95	75	176	22	132	576
RVUIA040E	ABS system	Manual valves	Auxiliary valves	RV DN 10÷100	40	32	16	190	111	87	207	26	155	802
RVUIA050E	ABS system	Manual valves	Auxiliary valves	RV DN 10÷100	50	40	16	210	120	100	243	31	181	1199
RVUIA063E	ABS system	Manual valves	Auxiliary valves	RV DN 10÷100	63	50	16	240	139	120	298	38	222	2018

FKM

Reference	system	Category	family	series	d	DN	PN	A max	B	E	H	L	Z	g
RVUIA020F	ABS system	Manual valves	Auxiliary valves	RV DN 10÷100	20	15	16	125	72	55	135	16	103	231
RVUIA025F	ABS system	Manual valves	Auxiliary valves	RV DN 10÷100	25	20	16	145	84	66	158	19	120	392
RVUIA032F	ABS system	Manual valves	Auxiliary valves	RV DN 10÷100	32	25	16	165	95	75	176	22	132	576
RVUIA040F	ABS system	Manual valves	Auxiliary valves	RV DN 10÷100	40	32	16	190	111	87	207	26	155	802
RVUIA050F	ABS system	Manual valves	Auxiliary valves	RV DN 10÷100	50	40	16	210	120	100	243	31	181	1199
RVUIA063F	ABS system	Manual valves	Auxiliary valves	RV DN 10÷100	63	50	16	240	139	120	298	38	222	2018



RVUIA - Sediment strainer DN 15:50

- Connection system for solvent weld, threaded and flanged joints
- **Strainer** mounted on an easily removed **support** that facilitates the cleaning or replacement
- **Valve material compatibility** (PVC-C) with water conveyance, drinking water and other food substances according to **current regulations**
- Can be maintained with the valve body installed