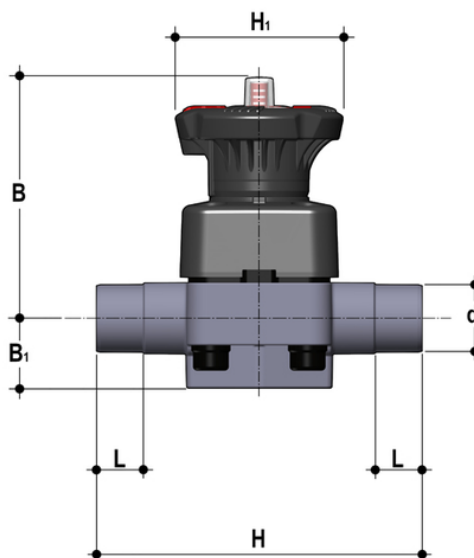


# DKDA - DIALOCK® 2-way diaphragm valve DN 15:65

DIALOCK® diaphragm valve with male ends for solvent welding, metric series.



## EPDM

Reference	tooltiplmage	system	Category	family	series	d	DN	PN	B	B <sub>1</sub>	H	H <sub>1</sub>	L	g
DKDA075E	-	ABS system	Manual valves	Diaphragm valves	DK DN 15÷65	75	65	10	172	46	284	120	44	2430

## FKM

Reference	tooltiplmage	system	Category	family	series	d	DN	PN	B	B <sub>1</sub>	H	H <sub>1</sub>	L	g
DKDA075F	-	ABS system	Manual valves	Diaphragm valves	DK DN 15÷65	75	65	10	172	46	284	120	44	2430

## PTFE

Reference	tooltiplmage	system	Category	family	series	d	DN	PN	B	B <sub>1</sub>	H	H <sub>1</sub>	L	g
DKDA075P	-	ABS system	Manual valves	Diaphragm valves	DK DN 15÷65	75	65	10	172	46	284	120	44	2430

# DKDA - DIALOCK® 2-way diaphragm valve DN 15:65

- **High visibility graduated optical position indicator** protected by a transparent cap with seal O-Ring
  - **Customisation plate:** the customisation lets you identify the valve on the system according to specific needs
  - **DIALOCK® SYSTEM:** innovative handwheel with a patented immediate and ergonomic operating locking device that allows it **to be adjusted and locked in over 300 positions**
  - **Handwheel and bonnet in** high mechanical strength and chemically resistant **PP-GR**, providing full protection by isolating all internal metal parts from contact with external agents
  - **Floating pin connection** between the control screw and diaphragm to prevent concentrated loads, improve the seal and extend its lifetime
  - **New design of valve body interior: substantially increased flow coefficient** and reduced pressure drop. The degree of efficiency reached has also **enabled the size and weight of the valve to be reduced**
  - **Adjustment linearity:** the internal profiles of the valve also greatly improve its characteristic curve, resulting in **extremely sensitive and precise adjustment** along the entire stroke of the shutter
  - **Valve anchoring** bracket **integrated in the body**, with threaded metal inserts allowing **simple panel or wall mounting** using the PMDK mounting plate (supplied as an accessory)
- Connection system for solvent weld, threaded and flanged joints
  - **Optimised fluid dynamic design:** maximum output flow rate thanks to the optimised efficiency of the fluid dynamics that characterise the new internal geometry of the body
  - **Internal components in metal, totally isolated from the fluid** and external environment
  - **Modularity of the range:** only 2 handwheel and 4 diaphragm and bonnet sizes for 7 different valve sizes
  - Non-rising handwheel that stays at the same height during rotation, equipped with a graduated optical indicator protected by a transparent PVC cap with seal O-Ring
  - Bonnet fastening screws in stainless steel protected against the external environment by PE plugs. Absence of metal parts exposed to the external environment to prevent any risk of corrosion.
  - **CDSA** (Circular Diaphragm Sealing Angle) system that, thanks to the uniform distribution of shutter pressure on the diaphragm seal, offers the following advantages:
    - reduction in the tightening torque of the screws fixing the actuator to the valve body
    - reduced mechanical stress on all valve components (actuator, body and diaphragm)
    - easy to clean valve interior
    - low risk of the accumulation of deposits, contamination or damage to the diaphragm due to crystallisation
    - operating torque reduction