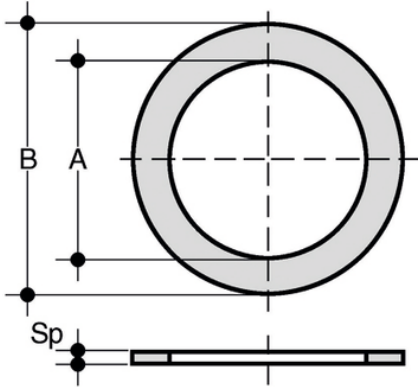


QHV/X - Flat gasket

Flat gasket in EPDM and FKM for flanges according to EN 1092.



EPDM

Reference	tootiplmage	d	DN	A	B	Sp
QHVX020E	-	20 - 1/2"	15	20	32	2
QHVX025E	-	25 - 3/4"	20	24	38,5	2
QHVX032E	-	32 - 1"	25	32	48	2
QHVX040E	-	40 - 1" 1/4	32	40	59	2
QHVX050E	-	50 - 1" 1/2	40	50	71	2
QHVX063E	-	63 - 2"	50	63	88	2
QHVX075E	-	75 - 2" 1/2	65	75	104	2
QHVX090E	-	90 - 3"	80	90	123	2
QHVX110E	-	110 - 4"	100	110	148	3

FKM

Reference	tootiplmage	d	DN	A	B	Sp
QHVX020F	-	20 - 1/2"	15	20	32	2
QHVX025F	-	25 - 3/4"	20	24	38,5	2
QHVX032F	-	32 - 1"	25	32	48	2
QHVX040F	-	40 - 1" 1/4	32	40	59	2
QHVX050F	-	50 - 1" 1/2	40	50	71	2
QHVX063F	-	63 - 2"	50	63	88	2



QHV/X - Flat gasket

Reference	tooltiplmage	d	DN	A	B	Sp
QHVX075F	-	75 - 2" 1/2	65	75	104	2
QHVX090F	-	90 - 3"	80	90	123	2
QHVX110F	-	110 - 4"	100	110	148	3