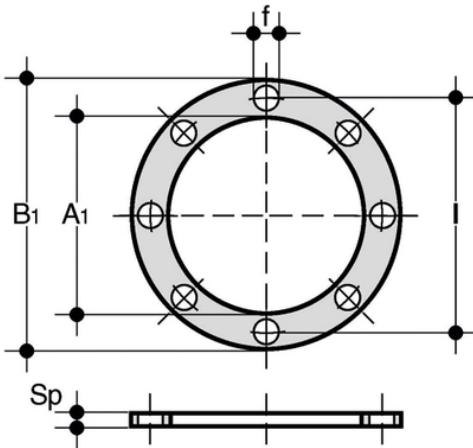


QHV/Y - Flat gasket

Flat gasket in EPDM for flanges according to EN 1092, self-centring for flanges drilled PN 10/16.



| Reference | tootiplmage | d | DN | A[5:1] | B ₁ | F | l | U | Sp |
|-----------|-------------|-------------|-----|--------|----------------|----|-------|---|----|
| QHVV020E | - | 20 - 1/2" | 15 | 17 | 95 | 14 | 65 | 4 | 2 |
| QHVV025E | - | 25 - 3/4" | 20 | 22 | 107 | 14 | 76,3 | 4 | 2 |
| QHVV032E | - | 32 - 1" | 25 | 28 | 117 | 14 | 86,5 | 4 | 2 |
| QHVV040E | - | 40 - 1" 1/4 | 32 | 36 | 142,5 | 18 | 101 | 4 | 2 |
| QHVV050E | - | 50 - 1" 1/2 | 40 | 45 | 153,3 | 18 | 111 | 4 | 2 |
| QHVV063E | - | 63 - 2" | 50 | 57 | 168 | 18 | 125,5 | 4 | 2 |
| QHVV075E | - | 75 - 2" 1/2 | 65 | 71 | 187,5 | 18 | 145,5 | 4 | 3 |
| QHVV090E | - | 90 - 3" | 80 | 84 | 203 | 18 | 160 | 8 | 3 |
| QHVV110E | - | 110 - 4" | 100 | 102 | 223 | 18 | 181 | 8 | 3 |