

QRX Exit spacer

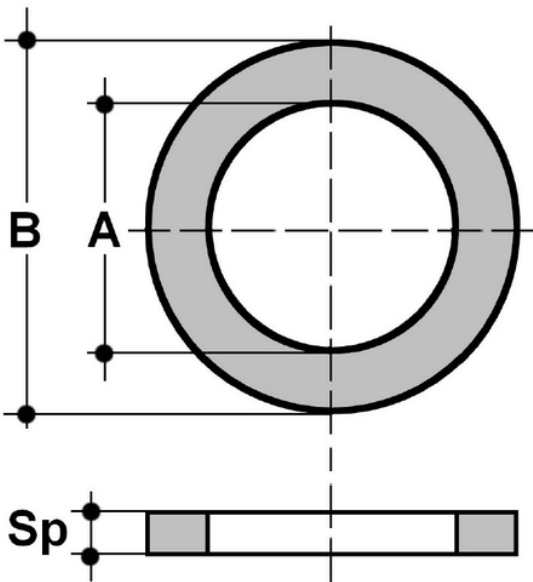
QRX - ISO-DIN exit spacer for wafer check valves FR series.

For the installation of FR valves on PP-H or PVDF piping with socket welding fusion we recommend the use of QRX spacers of the designed material on the outlet side of the valve is advised to allow full opening of the FR.

The spacer needs to be installed between the valve and the QRNM or QRNF stub; the flat side of the spacer needs to be installed on the side of the valve and a flat gasket needs to be installed between the spacer and the stub.

The use on piping with an SDR lower than 17 for dimensions above d63 is not advised (SDR11, d75-110).

It is recommended to remove the welded material after the fusion from the stub to be installed on the outlet side of the valve.



QRX PP-H

Reference	tooltiplmage	system	Category	family	series	d	DN	A	B	Sp
QRXM040	-	Special parts and accessories	Accessories for manual valves	Accessories for clapet valves	QRX Spacer for FR clapet valves	40	32	41	78	10,5
QRXM050	-	Special parts and accessories	Accessories for manual valves	Accessories for clapet valves	QRX Spacer for FR clapet valves	50	40	49	88	11,5
QRXM063	-	Special parts and accessories	Accessories for manual valves	Accessories for clapet valves	QRX Spacer for FR clapet valves	63	50	62	102	14
QRXM075	-	Special parts and accessories	Accessories for manual valves	Accessories for clapet valves	QRX Spacer for FR clapet valves	75	65	74,5	122	15,5
QRXM090	-	Special parts and accessories	Accessories for manual valves	Accessories for clapet valves	QRX Spacer for FR clapet valves	90	80	88,5	138	16,5
QRXM110	-	Special parts and accessories	Accessories for manual valves	Accessories for clapet valves	QRX Spacer for FR clapet valves	110	100	109	158	17,5

QRX Exit spacer

QRX PVDF

Reference	tooltiplImage	system	Category	family	series	d	DN	A	B	Sp
QRXF040	-	Special parts and accessories	Accessories for manual valves	Accessories for clapet valves	QRX Spacer for FR clapet valves	40	32	41	78	10,5
QRXF050	-	Special parts and accessories	Accessories for manual valves	Accessories for clapet valves	QRX Spacer for FR clapet valves	50	40	49	88	11,5
QRXF063	-	Special parts and accessories	Accessories for manual valves	Accessories for clapet valves	QRX Spacer for FR clapet valves	63	50	62	102	14
QRXF075	-	Special parts and accessories	Accessories for manual valves	Accessories for clapet valves	QRX Spacer for FR clapet valves	75	65	74,5	122	15,5
QRXF090	-	Special parts and accessories	Accessories for manual valves	Accessories for clapet valves	QRX Spacer for FR clapet valves	90	80	88,5	138	16,5
QRXF110	-	Special parts and accessories	Accessories for manual valves	Accessories for clapet valves	QRX Spacer for FR clapet valves	110	100	109	158	17,5