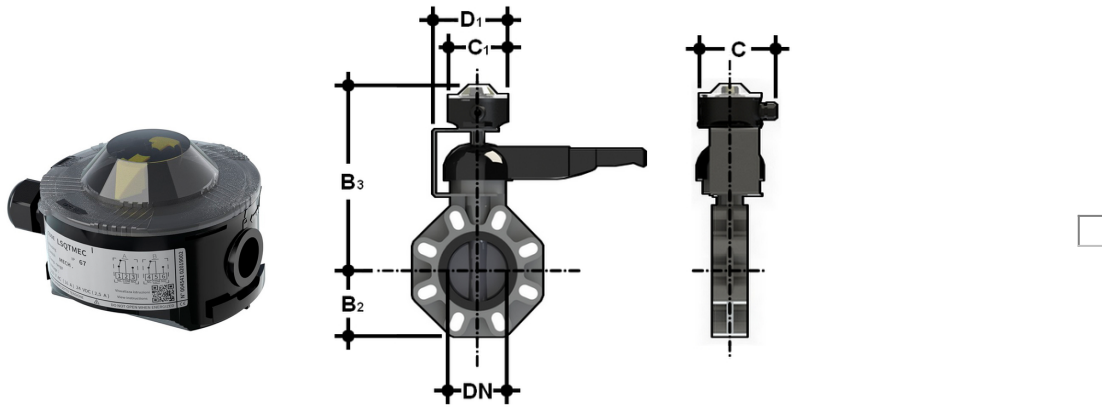


# LSQTPNP Inductive PNP microswitches box

Microswitches box IP 68 with two PNP (3 wires) sensors and optical position indicator



Reference	tooltiplmage	system	Category	family	DN	B[5:2]	B[5:3]	C	C[5:1]	D[5:1]
LSQTPNP	-	Special parts and accessories	Accessories for manual valves	Accessories for DualBlock ball valves	40	60	206,5	126,9	103	123,5
LSQTPNP	-	Special parts and accessories	Accessories for manual valves	Accessories for butterfly valves	50	70	266,5	126,9	103	123,5
LSQTPNP	-	Special parts and accessories	Accessories for manual valves	Accessories for butterfly valves	65	80	273,5	126,9	103	123,5
LSQTPNP	-	Special parts and accessories	Accessories for manual valves	Accessories for butterfly valves	80	93	287,5	126,9	103	123,5
LSQTPNP	-	Special parts and accessories	Accessories for manual valves	Accessories for butterfly valves	100	107	301,5	126,9	103	123,5
LSQTPNP	-	Special parts and accessories	Accessories for manual valves	Accessories for butterfly valves	125	120	321,5	126,9	103	123,5
LSQTPNP	-	Special parts and accessories	Accessories for manual valves	Accessories for butterfly valves	150	134	334,5	126,9	103	123,5
LSQTPNP	-	Special parts and accessories	Accessories for manual valves	Accessories for butterfly valves	200	161	385	126,9	103	129,8