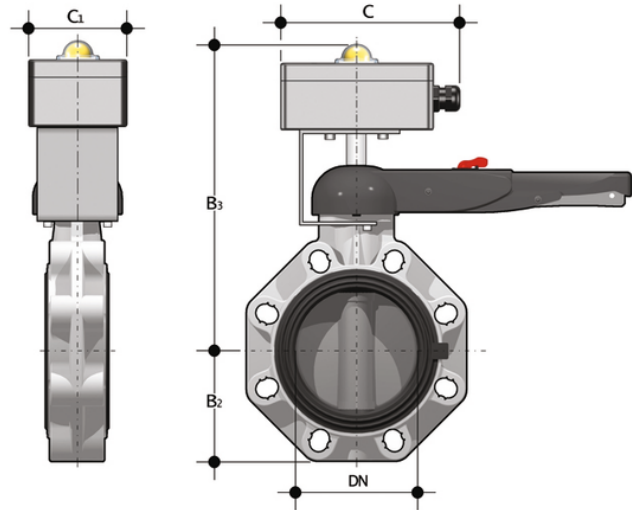


# LSQTNAM Inductive Namur microswitches box

Microswitches box IP 67 with two inductive Namur (2 wires) sensors and optical position indicator



Reference	tooltiplmage	system	Category	family	DN	B[5:2]	B[5:3]	C	C[5:1]
LSQTNAM	-	Special parts and accessories	Accessories for manual valves	Accessories for DualBlock ball valves	40	60	248	153	80
LSQTNAM	-	Special parts and accessories	Accessories for manual valves	Accessories for butterfly valves	50	70	254	153	80
LSQTNAM	-	Special parts and accessories	Accessories for manual valves	Accessories for butterfly valves	65	80	261	153	80
LSQTNAM	-	Special parts and accessories	Accessories for manual valves	Accessories for butterfly valves	80	93	275	153	80
LSQTNAM	-	Special parts and accessories	Accessories for manual valves	Accessories for butterfly valves	100	107	289	153	80
LSQTNAM	-	Special parts and accessories	Accessories for manual valves	Accessories for butterfly valves	125	120	309	153	80
LSQTNAM	-	Special parts and accessories	Accessories for manual valves	Accessories for butterfly valves	150	134	322	153	80
LSQTNAM	-	Special parts and accessories	Accessories for manual valves	Accessories for butterfly valves	200	161	369	153	80