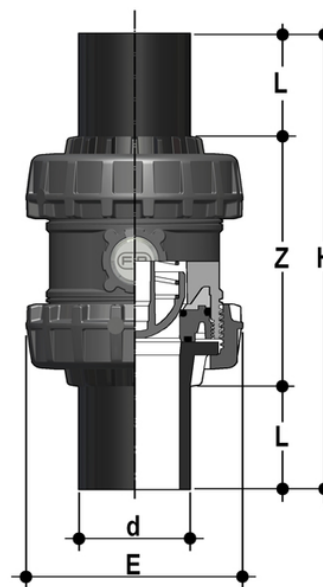


SSEBEV/PTFE – Easyfit True Union ball and spring check valve DN 65:100

Easyfit spring check valve with PE100 SDR 11 male end connectors for butt welding or electrofusion (CVDE). Spring in A316, PTFE coated.



EPDM

Reference	tooltiplmage	system	Category	family	series	d	DN	E	H	L	Z	g	PN
SSEBEV075EOP	-	PVC-U system	Manual valves	Auxiliary valves	SSE DN 65÷100	75	65	157	331	71	189	2480	16
SSEBEV090EOP	-	PVC-U system	Manual valves	Auxiliary valves	SSE DN 65÷100	90	80	174	367	88	191	3090	16
SSEBEV110EOP	-	PVC-U system	Manual valves	Auxiliary valves	SSE DN 65÷100	110	100	212	407	92	223	5370	16

FKM

Reference	tooltiplmage	system	Category	family	series	d	DN	E	H	L	Z	g	PN
SSEBEV075FOP	-	PVC-U system	Manual valves	Auxiliary valves	SSE DN 65÷100	75	65	157	331	71	189	2480	16
SSEBEV090FOP	-	PVC-U system	Manual valves	Auxiliary valves	SSE DN 65÷100	90	80	174	367	88	191	3090	16
SSEBEV110FOP	-	PVC-U system	Manual valves	Auxiliary valves	SSE DN 65÷100	110	100	212	407	92	223	5370	16

SSEBEV/PTFE – Easyfit True Union ball and spring check valve DN 65:100

- **Customisable Labelling System: built-in LCE module** on the valve body made up of transparent protection plug and customisable tag holder using the LSE set (available as accessory). The customisation potential lets you **identify the valve on the system** according to specific needs
- **Optimised dynamic fluid design:** energy savings due to the improved valve Kv value and consequent reduced pressure drop
- High surface finish ball shutter: **reduced wear**, longer working life and reduced valve maintenance. Ideal to convey dirty fluids, even with suspended fluids or filaments, thanks to the special design that permits **internal valve selfcleaning**
- **Locked ball seat carrier:** safe dismounting for maintenance with the Easyfit multifunctional handle
- Ideal for horizontal installations: **perfect seal even with low back pressure. Silent** and durable even with strong vibrations and pulsating fluid
- PVC-U shutter and springs available in STAINLESS Steel 316, A316 PTFE encapsulated: maximum reliability in a **wide field of applications** from salt water to aggressive acids
- Connection system for solvent weld and threaded joints
- **Valve material compatibility** (PVC-U) with water, drinking water and other food substance conveyance according to **current regulations**
- **PN16 True Union valve body** made for PVC-U injection moulding and European Directive 2014/68/EU (PED) compliant for pressurised equipment. ISO 9393 compliant test requirements
- Easy radial dismounting and fully interchangeable with VEE and VXE 65-100 valve models
- Union nut profile that perfectly adapts to the Easyfit multifunctional handle hooked insert (available as an accessory) that lets you control union nut rotation
- **Vertical** (preferable for SXE model) and **horizontal installation** potential