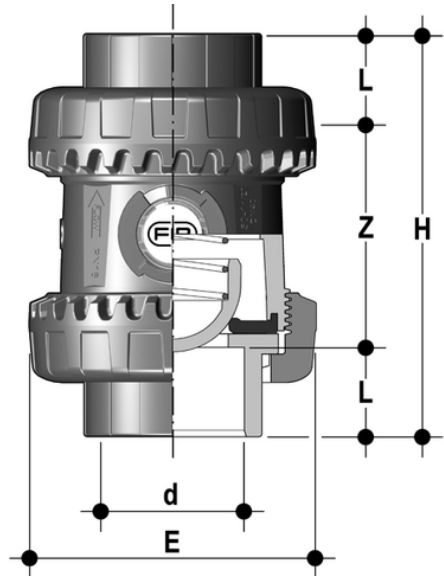


SSEAC/PTFE - Easyfit True Union spring check valve DN 10:50

Easyfit spring check valve with female ends for solvent welding, ASTM series. Spring in A316, PTFE coated.



EPDM

Reference	tooltiplmage	system	Category	family	series	d	DN	PN	E	H	L	Z	g
SSEAC114EOP	-	PVC-C system	Manual valves	Auxiliary valves	SSE DN 10÷50	1" 1/4	32	16	85	136	32	72	505
SSEAC112EOP	-	PVC-C system	Manual valves	Auxiliary valves	SSE DN 10÷50	1" 1/2	40	16	100	147	35	77	686
SSEAC200EOP	-	PVC-C system	Manual valves	Auxiliary valves	SSE DN 10÷50	2"	50	16	118	174	38,2	97,6	1119

FKM

Reference	tooltiplmage	system	Category	family	series	d	DN	PN	E	H	L	Z	g
SSEAC114FOP	-	PVC-C system	Manual valves	Auxiliary valves	SSE DN 10÷50	1" 1/4	32	16	85	136	32	72	505
SSEAC112FOP	-	PVC-C system	Manual valves	Auxiliary valves	SSE DN 10÷50	1" 1/2	40	16	100	147	35	77	686
SSEAC200FOP	-	PVC-C system	Manual valves	Auxiliary valves	SSE DN 10÷50	2"	50	16	118	174	38,2	97,6	1119

SSEAC/PTFE – Easyfit True Union spring check valve DN 10:50

- **Customisable Labelling System: built-in LCE module** on the valve body made up of transparent protection plug and customisable tag holder using the LSE set (available as accessory). The customisation potential **lets you identify the valve on the system** according to specific needs.
- Ideal for horizontal installations: **perfect seal even with low back pressure. Silent** and durable even with strong vibrations and pulsating fluid
- PVC-C shutter and springs available made of STAINLESS steel 316, Hastelloy C276, A316 PTFE encapsulated: maximum reliability in a wide field of applications from salt water to aggressive acids
- Connection system for solvent weld and threaded joints
- Valve material compatibility (PVC-C) **with water conveyance, drinking water and other food substances according to** current regulations
- **PN16 True Union valve body** made for PVC-C injection moulding and European Directive 2014/68/EU (PED) compliant for pressurised equipment. ISO 9393 compliant test requirements
- **Short face to face dimension** according to international regulation ISO 7508 series III "short" and fully interchangeable with VXE DN 10÷50 ball valve models
- Union nuts with rack for tightening adjustment via Easyfit handle or via Easytorque adjustment kit (available as accessories)
- Can be **installed** in either a **vertical** or **horizontal** position