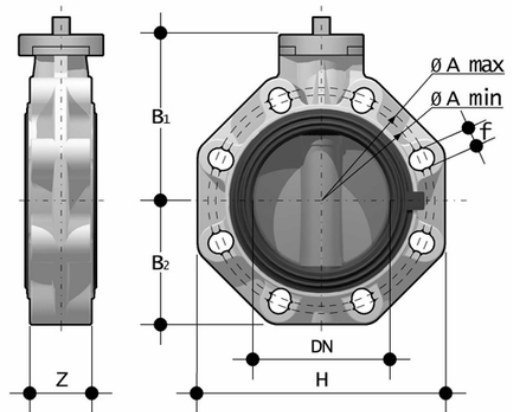


FKOF/FM /SF – Butterfly valve DN 40:400

Butterfly valve with bare shaft.



Reference	tooltiplmage	Other description	system	Category	family	series	d - Size	DN	PN	A min	A max	øA	B ₁	B[5:2]	f	H	U
FKOFFM050F0SF	-	FK suitable for flanged JIS K10 wafer installation is also available on request in the size 10" (DN250), 14" (DN350) and 16" (DN400). *ISO-DIN **ANSI B.16.5 150 Note: EPDM, NBR (d75-225) primary liner available	PVDF system	Manual valves	Butterfly valves	FK DN 40÷400	50 - 1 1/2"	40	16	99	109	-	106	60	19	132	4
FKOFFM063F0SF	-	FK suitable for flanged JIS K10 wafer installation is also available	PVDF system	Manual valves	Butterfly valves	FK DN 40÷400	63 - 2"	50	16	115	125,5	-	112	70	19	147	4



FKOF/FM /SF – Butterfly valve DN 40:400

Reference	tooltiplImage	Other description	system	Category	family	series	d - Size	DN	PN	A min	A max	øA	B ₁	B[5:2]	f	H	U
		on request in the size 10" (DN250), 14" (DN350) and 16" (DN400). *ISO-DIN **ANSI B.16.5 150 Note: EPDM, NBR (d75-225) primary liner available															
FKOFFM075F0SF	-	FK suitable for flanged JIS K10 wafer installation is also available on request in the size 10" (DN250), 14" (DN350) and 16" (DN400). *ISO-DIN **ANSI B.16.5 150 Note: EPDM, NBR (d75-225) primary liner available	PVDF system	Manual valves	Butterfly valves	FK DN 40÷400	75 - 2"1/2	65	10	128	144	-	119	80	19	165	4
FKOFFM090F0SF	-	FK suitable for flanged JIS K10 wafer installation is also available on request in the size 10" (DN250), 14" (DN350) and 16" (DN400). *ISO-DIN **ANSI B.16.5 150 Note:	PVDF system	Manual valves	Butterfly valves	FK DN 40÷400	90 - 3"	80	10	145	160	-	133	93	19	185	1





FKOF/FM /SF – Butterfly valve DN 40:400

Reference	tooltipImage	Other description	system	Category	family	series	d - Size	DN	PN	A min	A max	øA	B ₁	B[5:2]	f	H	U
FKOFFM110F0SF	-	EPDM, NBR (d75-225) primary liner available FK suitable for flanged JIS K10 wafer installation is also available on request in the size 10" (DN250), 14" (DN350) and 16" (DN400). *ISO-DIN **ANSI B.16.5 150 Note: EPDM, NBR (d75-225) primary liner available	PVDF system	Manual valves	Butterfly valves	FK DN 40÷400	110 - 4"	100	10	165	190	-	147	107	19	211	8
FKOFFM140F0SF	-	FK suitable for flanged JIS K10 wafer installation is also available on request in the size 10" (DN250), 14" (DN350) and 16" (DN400). *ISO-DIN **ANSI B.16.5 150 Note: EPDM, NBR (d75-225) primary liner available	PVDF system	Manual valves	Butterfly valves	FK DN 40÷400	140 - 5"	125	10	204	215	-	167	120	23	240	8
FKOFFM160F0SF	-	FK suitable for flanged JIS K10 wafer installation	PVDF system	Manual valves	Butterfly valves	FK DN 40÷400	160 - 6"	150	10	230	242	-	180	134	23	268	8





FKOF/FM /SF – Butterfly valve DN 40:400

Reference	tooltipImage	Other description	system	Category	family	series	d - Size	DN	PN	A min	A max	øA	B ₁	B[5:2]	f	H	U
		is also available on request in the size 10" (DN250), 14" (DN350) and 16" (DN400). *ISO-DIN **ANSI B.16.5 150 Note: EPDM, NBR (d75-225) primary liner available															



FKOF/FM /SF – Butterfly valve DN 40:400

- **Ergonomic handle** in HIPVC equipped with **locking and unlocking device, release, quick operation and graduated adjustment** in 10 intermediate positions (DN 40÷200). The operating range, starting from the first few degrees of valve opening, also guarantees extremely low pressure drops
- **Customisable Labelling System:** integrated module in the handle, made of a transparent protection plug and a customisable tag holder using the LSE set (available as an accessory). The **customisation** lets you **identify the valve on the system** according to specific needs
- **STAINLESS steel square section stem** completely isolated from the fluid complying with standard ISO 5211:
 - DN 40÷65: 11 mm
 - DN 80÷100: 14 mm
 - DN 125÷150: 17 mm
 - DN 200: 22 mm
 - DN 250÷400: 27 mm
- **Body** in polypropylene based **compound reinforced with fibreglass (PP-GR) resistant to UV rays** and characterised by **high mechanical strength**
- **Drilling pattern using oval slots** that allow coupling to flanges according to numerous international standards. The special **self-centring inserts in ABS** supplied for DN 40÷200 guarantee the **correct axial alignment** of the valve during installation. For DN 250÷400 valves, the drilling pattern for the selfcentring system is of the traditional type according to DIN and ANSI standards
- **Interchangeable liner** with the dual function of forming a hydraulic seal and isolating the body from the fluid
- Interchangeable Disk in PVDF with through shaft, available in different thermoplastic materials: PVC-U, PP-H, PVC-C, ABS
- Overall dimensions of the valve in accordance with standard ISO 5752 (DN 40÷200 Medium Series 25, DN 250÷300 Long Series 16) and DIN 3202 K2 and ISO 5752 (DN 65÷200 K2, DN 250÷300 K3)
- Can also be installed as an end line valve, bottom discharge valve or tank dump valve
- **Special Lug version** PN 10 fully drilled according to DIN 2501 or ANSI B16.5 cl.150 **with molded-in AISI 316 stainless steel threaded inserts**
- Possibility of installing a manual reducer or pneumatic and/or electric actuators by applying an ISO standard drilling PP-GR flanges. DN 40 ÷ 200 valve equipped with plate with rack in PP-GR. For actuated versions with flange drilled according to ISO 5211 F05, F07, F10. DN 250÷300 valve, fitted with one-piece top flange in high mechanical strength PP-GR with mounting flange for internal components drilled according to standard ISO 5211 F10 (excluding DN 350÷400), F12, F14
- Possibility to have handle with integrated LSQT limit micro switch, even as a retrofit in existing installations