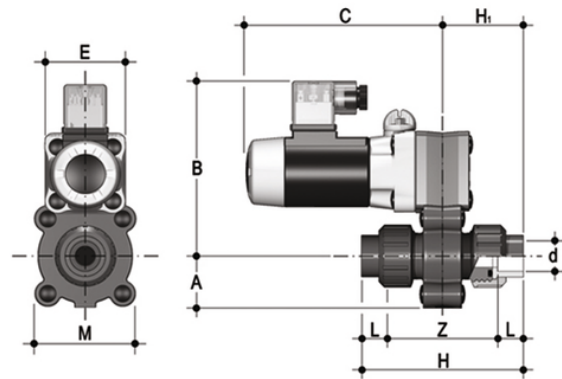


S12IV - 110V AC - true union 2-way solenoid valve

2 way solenoid valve with female union ends for solvent welding.

Function: Normally closed. Power supply: 110V AC



EPDM

Reference	tootiplmage	system	Category	family	series	d	DN	A	B	C	H	H ₁	L	Z	E	M	g
S12IV0410E110A	-	Automation system	Electrically actuated valves	Solenoid valves	S1 DN 4÷8	10	4	24	100	103	84	42	12	60	42	52	400
S12IV0412E110A	-	Automation system	Electrically actuated valves	Solenoid valves	S1 DN 4÷8	12	4	24	100	103	84	42	12	60	42	52	400
S12IV0416E110A	-	Automation system	Electrically actuated valves	Solenoid valves	S1 DN 4÷8	16	4	24	100	103	88	44	14	60	42	52	400
S12IV0610E110A	-	Automation system	Electrically actuated valves	Solenoid valves	S1 DN 4÷8	10	-	24	100	103	84	42	12	60	42	52	400
S12IV0612E110A	-	Automation system	Electrically actuated valves	Solenoid valves	S1 DN 4÷8	12	-	24	100	103	84	42	12	60	42	52	400
S12IV0616E110A	-	Automation system	Electrically actuated valves	Solenoid valves	S1 DN 4÷8	16	6	24	100	103	88	44	14	60	42	52	400
S12IV0810E110A	-	Automation system	Electrically actuated valves	Solenoid valves	S1 DN 4÷8	10	8	24	100	103	84	42	12	60	42	52	400
S12IV0812E110A	-	Automation system	Electrically actuated valves	Solenoid valves	S1 DN 4÷8	12	8	24	100	103	84	42	12	60	42	52	400
S12IV0816E110A	-	Automation system	Electrically actuated valves	Solenoid valves	S1 DN 4÷8	16	8	24	100	103	88	44	14	60	42	52	400



S12IV - 110V AC - true union 2-way solenoid valve

S12IV - 110V AC - true union 2-way solenoid valve

Reference	tooltImage	system	Category	family	series	d	DN	A	B	C	H	H ₁	L	Z	E	M	g
S12IV0410F110A	-	Automation system	Electrically actuated valves	Solenoid valves	S1 DN 4÷8	10	4	24	100	103	84	42	12	60	42	52	400
S12IV0412F110A	-	Automation system	Electrically actuated valves	Solenoid valves	S1 DN 4÷8	12	4	24	100	103	84	42	12	60	42	52	400
S12IV0416F110A	-	Automation system	Electrically actuated valves	Solenoid valves	S1 DN 4÷8	16	4	24	100	103	88	44	14	60	42	52	400
S12IV0610F110A	-	Automation system	Electrically actuated valves	Solenoid valves	S1 DN 4÷8	10	6	24	100	103	84	42	12	60	42	52	400
S12IV0612F110A	-	Automation system	Electrically actuated valves	Solenoid valves	S1 DN 4÷8	12	6	24	100	103	84	42	12	60	42	52	400
S12IV0616F110A	-	Automation system	Electrically actuated valves	Solenoid valves	S1 DN 4÷8	16	6	24	100	103	88	44	14	60	42	52	400
S12IV0810F110A	-	Automation system	Electrically actuated valves	Solenoid valves	S1 DN 4÷8	10	8	24	100	103	84	42	12	60	42	52	400
S12IV0812F110A	-	Automation system	Electrically actuated valves	Solenoid valves	S1 DN 4÷8	12	8	24	100	103	84	42	12	60	42	52	400
S12IV0816F110A	-	Automation system	Electrically actuated valves	Solenoid valves	S1 DN 4÷8	16	8	24	100	103	88	44	14	60	42	52	400

S12IV - 110V AC - true union 2-way solenoid valve

- Installation flexibility and ease of maintenance: high-performance solenoid electric actuator with internal moving parts designed to exceed 5 million maintenance free operating cycles. Adjustable circular section coil with IP65 protection class.
 - DIN 43650 electrical connector supplied as standard: includes LED indicator light and rectifier (in the case of an AC coil).
 - Lever shutter in EPDM or FKM and lever in stainless steel.
 - Suitable for use with aggressive fluids: no metal component in contact with the fluid or the external environment; all the screws are covered by PE protection plugs.
 - Emergency override
-
- 2-Way PVC-U body
 - Installation flexibility and ease of maintenance: high-performance solenoid electric actuator designed to exceed 5 million maintenance-free operating cycles
 - Adjustable circular section coil with IP65 protection class.
 - Integrated override with the possibility of being installed in 3 different positions.
 - Lever shutter in EPDM or FKM and lever in stainless steel.
 - DIN 43650 electrical connector supplied as standard: includes LED indicator light and rectifier (in the case of an AC coil).