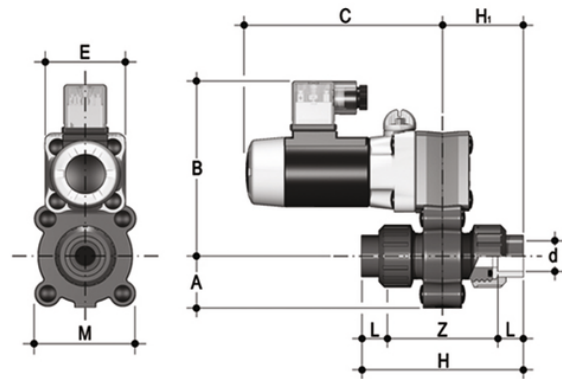


# S12IV - 24V DC - true union 2-way solenoid valve

2 way solenoid valve with female union ends for solvent welding.

Function: Normally closed. Power supply: 24V DC



## EPDM

Reference	tooltiplmage	system	Category	family	series	d	DN	A	B	C	H	H <sub>1</sub>	L	Z	E	M	g
S12IV0410E024C	-	Automation system	Electrically actuated valves	Solenoid valves	S1 DN 4÷8	10	4	24	100	103	84	42	12	60	42	52	400
S12IV0412E024C	-	Automation system	Electrically actuated valves	Solenoid valves	S1 DN 4÷8	12	4	24	100	103	84	42	12	60	42	52	400
S12IV0416E024C	-	Automation system	Electrically actuated valves	Solenoid valves	S1 DN 4÷8	16	4	24	100	103	88	44	14	60	42	52	400
S12IV0610E024C	-	Automation system	Electrically actuated valves	Solenoid valves	S1 DN 4÷8	10	-	24	100	103	84	42	12	60	42	52	400
S12IV0612E024C	-	Automation system	Electrically actuated valves	Solenoid valves	S1 DN 4÷8	12	-	24	100	103	84	42	12	60	42	52	400
S12IV0616E024C	-	Automation system	Electrically actuated valves	Solenoid valves	S1 DN 4÷8	16	6	24	100	103	88	44	14	60	42	52	400
S12IV0810E024C	-	Automation system	Electrically actuated valves	Solenoid valves	S1 DN 4÷8	10	8	24	100	103	84	42	12	60	42	52	400
S12IV0812E024C	-	Automation system	Electrically actuated valves	Solenoid valves	S1 DN 4÷8	12	8	24	100	103	84	42	12	60	42	52	400
S12IV0816E024C	-	Automation system	Electrically actuated valves	Solenoid valves	S1 DN 4÷8	16	8	24	100	103	88	44	14	60	42	52	400



# S12IV - 24V DC - true union 2-way solenoid valve

## S12IV - 24V DC - true union 2-way solenoid valve

Reference	tooltiplmage	system	Category	family	series	d	DN	A	B	C	H	H <sub>1</sub>	L	Z	E	M	g
S12IV0410F024C	-	Automation system	Electrically actuated valves	Solenoid valves	S1 DN 4÷8	10	4	24	100	103	84	42	12	60	42	52	400
S12IV0412F024C	-	Automation system	Electrically actuated valves	Solenoid valves	S1 DN 4÷8	12	4	24	100	103	84	42	12	60	42	52	400
S12IV0416F024C	-	Automation system	Electrically actuated valves	Solenoid valves	S1 DN 4÷8	16	4	24	100	103	88	44	14	60	42	52	400
S12IV0610F024C	-	Automation system	Electrically actuated valves	Solenoid valves	S1 DN 4÷8	10	6	24	100	103	84	42	12	60	42	52	400
S12IV0612F024C	-	Automation system	Electrically actuated valves	Solenoid valves	S1 DN 4÷8	12	6	24	100	103	84	42	12	60	42	52	400
S12IV0616F024C	-	Automation system	Electrically actuated valves	Solenoid valves	S1 DN 4÷8	16	6	24	100	103	88	44	14	60	42	52	400
S12IV0810F024C	-	Automation system	Electrically actuated valves	Solenoid valves	S1 DN 4÷8	10	8	24	100	103	84	42	12	60	42	52	400
S12IV0812F024C	-	Automation system	Electrically actuated valves	Solenoid valves	S1 DN 4÷8	12	8	24	100	103	84	42	12	60	42	52	400
S12IV0816F024C	-	Automation system	Electrically actuated valves	Solenoid valves	S1 DN 4÷8	16	8	24	100	103	88	44	14	60	42	52	400





## S12IV - 24V DC - true union 2-way solenoid valve

- Installation flexibility and ease of maintenance: high-performance solenoid electric actuator with internal moving parts designed to exceed 5 million maintenance free operating cycles. Adjustable circular section coil with IP65 protection class.
  - DIN 43650 electrical connector supplied as standard: includes LED indicator light and rectifier (in the case of an AC coil).
  - Lever shutter in EPDM or FKM and lever in stainless steel.
  - Suitable for use with aggressive fluids: no metal component in contact with the fluid or the external environment; all the screws are covered by PE protection plugs.
  - Emergency override
- 
- 2-Way PVC-U body
  - Installation flexibility and ease of maintenance: high-performance solenoid electric actuator designed to exceed 5 million maintenance-free operating cycles
  - Adjustable circular section coil with IP65 protection class.
  - Integrated override with the possibility of being installed in 3 different positions.
  - Lever shutter in EPDM or FKM and lever in stainless steel.
  - DIN 43650 electrical connector supplied as standard: includes LED indicator light and rectifier (in the case of an AC coil).