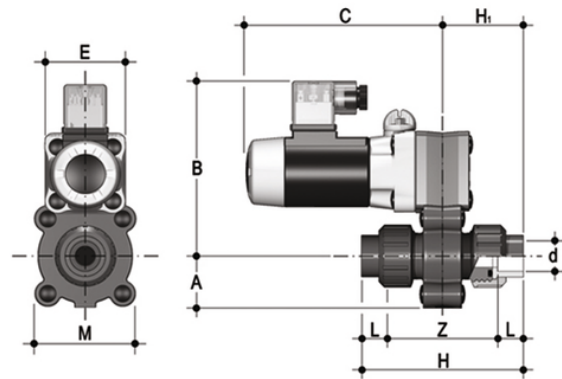


# S22IV - 12V DC - true union 2-way solenoid valve

2 way solenoid valve with female union ends for solvent welding.

Function: Normally closed. Power supply: 12V DC



## EPDM

Reference	system	Category	family	series	d	DN	A	B	C	H	H <sub>1</sub>	L	Z	E	M	g
S22IV0816E012C	Automation system	Electrically actuated valves	Solenoid valves	S1 DN 4÷8	16	8	34	115	130	99	50	14	71	54	67	1000
S22IV0820E012C	Automation system	Electrically actuated valves	Solenoid valves	S1 DN 4÷8	20	8	34	115	130	103	52	16	71	54	67	1000
S22IV1016E012C	Automation system	Electrically actuated valves	Solenoid valves	S1 DN 4÷8	16	10	34	115	130	99	50	14	71	54	67	1000
S22IV1020E012C	Automation system	Electrically actuated valves	Solenoid valves	S1 DN 4÷8	20	10	34	115	130	103	52	16	71	54	67	1000
S22IV1516E012C	Automation system	Electrically actuated valves	Solenoid valves	S1 DN 4÷8	16	15	34	115	130	99	50	14	71	54	67	1000
S22IV1520E012C	Automation system	Electrically actuated valves	Solenoid valves	S1 DN 4÷8	20	15	34	115	130	103	52	16	71	54	67	1000

## S22IV - 12V DC - true union 2-way solenoid valve

Reference	system	Category	family	series	d	DN	A	B	C	H	H <sub>1</sub>	L	Z	E	M	g
S22IV0816F012C	Automation system	Electrically actuated valves	Solenoid valves	S2 DN 8÷15	16	8	34	115	130	99	50	14	71	54	67	1000
S22IV0820F012C	Automation system	Electrically actuated valves	Solenoid valves	S2 DN 8÷15	20	8	34	115	130	103	52	16	71	54	67	1000



# S22IV - 12V DC - true union 2-way solenoid valve

Reference	system	Category	family	series	d	DN	A	B	C	H	H <sub>1</sub>	L	Z	E	M	g
S22IV1016F012C	Automation system	Electrically actuated valves	Solenoid valves	S2 DN 8÷15	16	10	34	115	130	99	50	14	71	54	67	1000
S22IV1020F012C	Automation system	Electrically actuated valves	Solenoid valves	S2 DN 8÷15	20	10	34	115	130	103	52	16	71	54	67	1000
S22IV1516F012C	Automation system	Electrically actuated valves	Solenoid valves	S2 DN 8÷15	16	15	34	115	130	99	50	14	71	54	67	1000
S22IV1520F012C	Automation system	Electrically actuated valves	Solenoid valves	S2 DN 8÷15	20	15	34	115	130	103	52	16	71	54	67	1000

## S22IV - 12V DC - true union 2-way solenoid valve

- Installation flexibility and ease of maintenance: high-performance solenoid electric actuator with internal moving parts designed to exceed 5 million maintenance free operating cycles. Adjustable circular section coil with IP65 protection class.
  - DIN 43650 electrical connector supplied as standard: includes LED indicator light and rectifier (in the case of an AC coil).
  - Lever shutter in EPDM or FKM and lever in stainless steel.
  - Suitable for use with aggressive fluids: no metal component in contact with the fluid or the external environment; all the screws are covered by PE protection plugs.
  - Emergency override
- 
- 2-Way PVC-U body
  - Installation flexibility and ease of maintenance: high-performance solenoid electric actuator designed to exceed 5 million maintenance-free operating cycles
  - Adjustable circular section coil with IP65 protection class.
  - Integrated override with the possibility of being installed in 3 different positions.
  - Lever shutter in EPDM or FKM and lever in stainless steel.
  - DIN 43650 electrical connector supplied as standard: includes LED indicator light and rectifier (in the case of an AC coil).