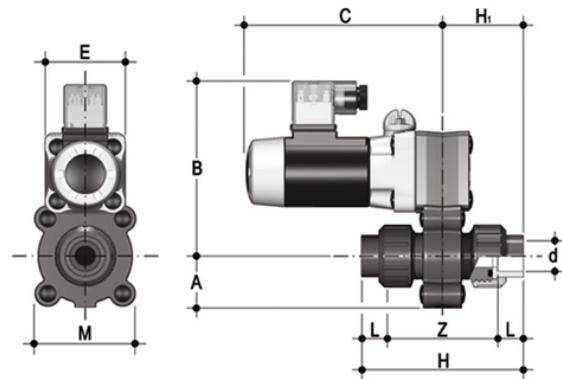


# S22FV - 110V AC - true union 2-way solenoid valve

2 way solenoid valve with BSP threaded female union ends.

Function: Normally closed. Power supply: 110V AC



## EPDM

Reference	system	Category	family	series	d	DN	A	B	C	H	H <sub>1</sub>	L	Z	E	M	g
S22FV0838E110A	Automation system	Electrically actuated valves	Solenoid valves	S1 DN 4÷8	3/8"	8	34	115	130	97	48,5	11,5	74	54	67	1000
S22FV0812E110A	Automation system	Electrically actuated valves	Solenoid valves	S1 DN 4÷8	1/2"	8	34	115	130	105	52,5	15	75	54	67	1000
S22FV1038E110A	Automation system	Electrically actuated valves	Solenoid valves	S1 DN 4÷8	3/8"	10	34	115	130	97	48,5	11,5	74	54	67	1000
S22FV1012E110A	Automation system	Electrically actuated valves	Solenoid valves	S1 DN 4÷8	1/2"	10	34	115	130	105	52,5	15	75	54	67	1000
S22FV1538E110A	Automation system	Electrically actuated valves	Solenoid valves	S1 DN 4÷8	3/8"	15	34	115	130	97	48,5	11,5	74	54	67	1000
S22FV1512E110A	Automation system	Electrically actuated valves	Solenoid valves	S1 DN 4÷8	1/2"	15	34	115	130	105	52,5	15	75	54	67	1000

## S22FV - 110V AC - true union 2-way solenoid valve

Reference	system	Category	family	series	d	DN	A	B	C	H	H <sub>1</sub>	L	Z	E	M	g
S22FV0838F110A	Automation system	Electrically actuated valves	Solenoid valves	S2 DN 8÷15	3/8"	8	34	115	130	97	48,5	11,5	74	54	67	1000
S22FV0812F110A	Automation system	Electrically actuated valves	Solenoid valves	S2 DN 8÷15	1/2"	8	34	115	130	105	52,5	15	75	54	67	1000



# S22FV - 110V AC - true union 2-way solenoid valve

Reference	system	Category	family	series	d	DN	A	B	C	H	H <sub>1</sub>	L	Z	E	M	g
S22FV1038F110A	Automation system	Electrically actuated valves	Solenoid valves	S2 DN 8÷15	3/8"	10	34	115	130	97	48,5	11,5	74	54	67	1000
S22FV1012F110A	Automation system	Electrically actuated valves	Solenoid valves	S2 DN 8÷15	1/2"	10	34	115	130	105	52,5	15	75	54	67	1000
S22FV1538F110A	Automation system	Electrically actuated valves	Solenoid valves	S2 DN 8÷15	3/8"	15	34	115	130	97	48,5	11,5	74	54	67	1000
S22FV1512F110A	Automation system	Electrically actuated valves	Solenoid valves	S2 DN 8÷15	1/2"	15	34	115	130	105	52,5	15	75	54	67	1000



## S22FV - 110V AC - true union 2-way solenoid valve

- Installation flexibility and ease of maintenance: high-performance solenoid electric actuator with internal moving parts designed to exceed 5 million maintenance free operating cycles. Adjustable circular section coil with IP65 protection class.
  - DIN 43650 electrical connector supplied as standard: includes LED indicator light and rectifier (in the case of an AC coil).
  - Lever shutter in EPDM or FKM and lever in stainless steel.
  - Suitable for use with aggressive fluids: no metal component in contact with the fluid or the external environment; all the screws are covered by PE protection plugs.
  - Emergency override
- 
- 2-Way PVC-U body
  - Installation flexibility and ease of maintenance: high-performance solenoid electric actuator designed to exceed 5 million maintenance-free operating cycles
  - Adjustable circular section coil with IP65 protection class.
  - Integrated override with the possibility of being installed in 3 different positions.
  - Lever shutter in EPDM or FKM and lever in stainless steel.
  - DIN 43650 electrical connector supplied as standard: includes LED indicator light and rectifier (in the case of an AC coil).