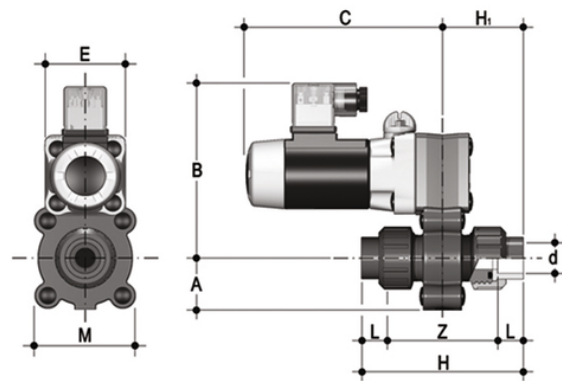


S22NV - 24V AC - true union 2-way solenoid valve

2 way solenoid valve with NPT threaded female union ends.

Function: Normally closed. Power supply: 24V AC



EPDM

Reference	tootiplmage	system	Category	family	series	d	DN	A	B	C	H	H ₁	L	Z	E	M	g
S22NV0838E024A	-	Automation system	Electrically actuated valves	Solenoid valves	S1 DN 4÷8	3/8"	8	34	115	130	103	51,5	16	71	54	67	1000
S22NV0812E024A	-	Automation system	Electrically actuated valves	Solenoid valves	S1 DN 4÷8	1/2"	8	34	115	130	112	56	20,5	71	54	67	1000
S22NV1038E024A	-	Automation system	Electrically actuated valves	Solenoid valves	S1 DN 4÷8	3/8"	10	34	115	130	103	51,5	16	71	54	67	1000
S22NV1012E024A	-	Automation system	Electrically actuated valves	Solenoid valves	S1 DN 4÷8	1/2"	10	34	115	130	112	56	20,5	71	54	67	1000
S22NV1538E024A	-	Automation system	Electrically actuated valves	Solenoid valves	S1 DN 4÷8	3/8"	15	34	115	130	103	51,5	16	71	54	67	1000
S22NV1512E024A	-	Automation system	Electrically actuated valves	Solenoid valves	S1 DN 4÷8	1/2"	15	34	115	130	112	56	20,5	71	54	67	1000

S22NV - 24V AC - true union 2-way solenoid valve



S22NV - 24V AC - true union 2-way solenoid valve

Reference	tooltiplmage	system	Category	family	series	d	DN	A	B	C	H	H ₁	L	Z	E	M	g
S22NV0838F024A	-	Automation system	Electrically actuated valves	Solenoid valves	S2 DN 8÷15	3/8"	8	34	115	130	103	51,5	16	71	54	67	1000
S22NV0812F024A	-	Automation system	Electrically actuated valves	Solenoid valves	S2 DN 8÷15	1/2"	8	34	115	130	112	56	20,5	71	54	67	1000
S22NV1038F024A	-	Automation system	Electrically actuated valves	Solenoid valves	S2 DN 8÷15	3/8"	10	34	115	130	103	51,5	16	71	54	67	1000
S22NV1012F024A	-	Automation system	Electrically actuated valves	Solenoid valves	S2 DN 8÷15	1/2"	10	34	115	130	112	56	20,5	71	54	67	1000
S22NV1538F024A	-	Automation system	Electrically actuated valves	Solenoid valves	S2 DN 8÷15	3/8"	15	34	115	130	103	51,5	16	71	54	67	1000
S22NV1512F024A	-	Automation system	Electrically actuated valves	Solenoid valves	S2 DN 8÷15	1/2"	15	34	115	130	112	56	20,5	71	54	67	1000





S22NV - 24V AC - true union 2-way solenoid valve

- Installation flexibility and ease of maintenance: high-performance solenoid electric actuator with internal moving parts designed to exceed 5 million maintenance free operating cycles. Adjustable circular section coil with IP65 protection class.
 - DIN 43650 electrical connector supplied as standard: includes LED indicator light and rectifier (in the case of an AC coil).
 - Lever shutter in EPDM or FKM and lever in stainless steel.
 - Suitable for use with aggressive fluids: no metal component in contact with the fluid or the external environment; all the screws are covered by PE protection plugs.
 - Emergency override
-
- 2-Way PVC-U body
 - Installation flexibility and ease of maintenance: high-performance solenoid electric actuator designed to exceed 5 million maintenance-free operating cycles
 - Adjustable circular section coil with IP65 protection class.
 - Integrated override with the possibility of being installed in 3 different positions.
 - Lever shutter in EPDM or FKM and lever in stainless steel.
 - DIN 43650 electrical connector supplied as standard: includes LED indicator light and rectifier (in the case of an AC coil).