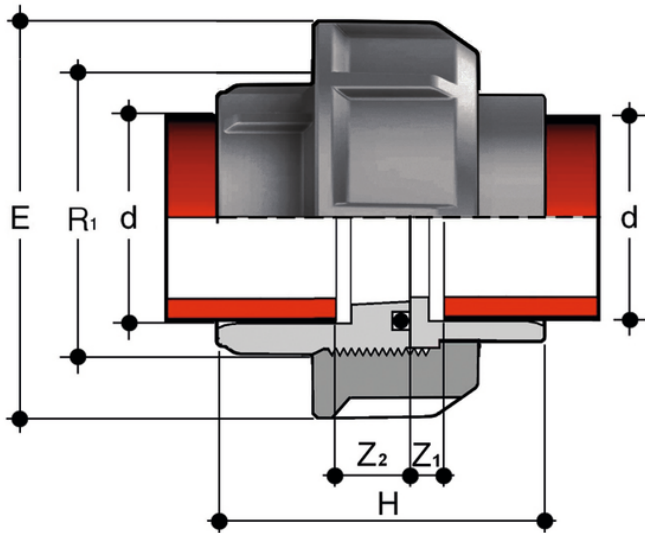


Union for socket welding with O-Ring in EPDM or FKM.



Reference	system	Category	family	d	R <sub>1</sub>	PN	E	H	Z <sub>1</sub>	Z <sub>2</sub>	g
BIGM020F	PP-H system	Pressure Fittings	ISO-UNI Fittings Socket Welding	20	1"	10	47	45,5	12	5,5	34
BIGM025F	PP-H system	Pressure Fittings	ISO-UNI Fittings Socket Welding	25	1"1/4	10	58	49,5	12	5,5	59
BIGM	PP-H system	Pressure Fittings	ISO-UNI Fittings Socket Welding	32	1"1/2	10	65	53,5	12	5,5	73
BIGM040F	PP-H system	Pressure Fittings	ISO-UNI Fittings Socket Welding	40	2"	10	78	59,5	14	5,5	115
BIGM050F	PP-H system	Pressure Fittings	ISO-UNI Fittings Socket Welding	50	2"1/4	10	85	67,5	16	5,5	146
BIGM063F	PP-H system	Pressure Fittings	ISO-UNI Fittings Socket Welding	63	2"3/4	10	103	79,5	20	5,5	249