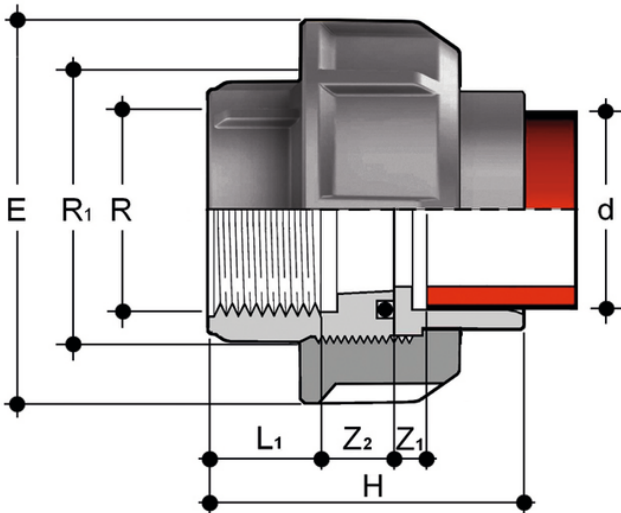


# EPDM

Union for socket welding (d), BSP (R) threaded female end with O-Ring in EPDM or FKM.



Reference	system	Category	family	d x R	R <sub>1</sub>	PN	E	H	L <sub>1</sub>	Z <sub>1</sub>	Z <sub>2</sub>	g
BIFGM020012E	PP-H system	Pressure Fittings	ISO-BSP Fittings Socket Welding	20 x 1/2"	1"	10	47	50,5	15	5,5	16	43
BIFGM025034E	PP-H system	Pressure Fittings	ISO-BSP Fittings Socket Welding	25 x 3/4"	1 1/4"	10	58	54,5	16,3	5,5	16,7	68
BIFGM032100E	PP-H system	Pressure Fittings	ISO-BSP Fittings Socket Welding	32 x 1"	1 1/2"	10	65	59,5	19,1	5,5	16,9	94
BIFGM040114E	PP-H system	Pressure Fittings	ISO-BSP Fittings Socket Welding	40 x 1 1/4"	2"	10	78	66,5	21,4	5,5	19,6	145
BIFGM050112E	PP-H system	Pressure Fittings	ISO-BSP Fittings Socket Welding	50 x 1 1/2"	2 1/4"	10	85	73,5	21,4	5,5	23,6	196
BIFGM063200E	PP-H system	Pressure Fittings	ISO-BSP Fittings Socket Welding	63 x 2"	2 3/4"	10	103	82,5	25,7	5,5	24,3	312