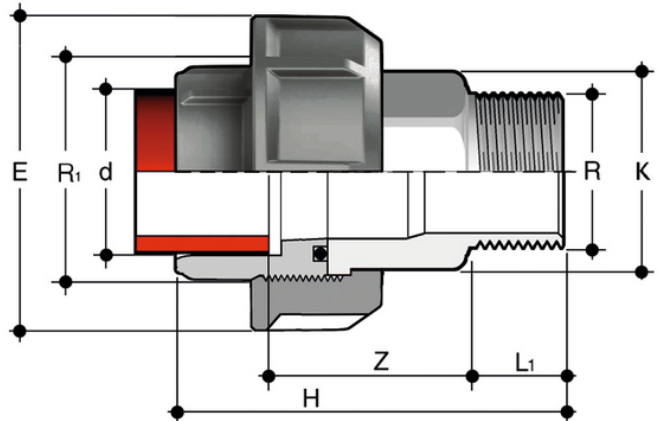
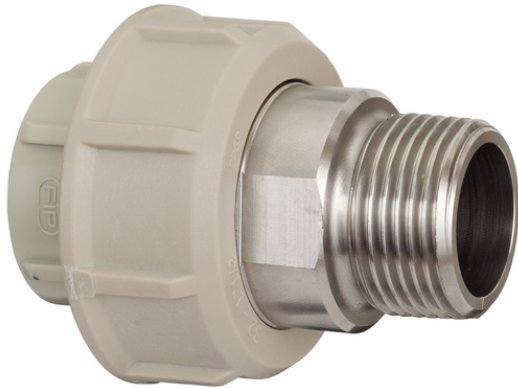


FKM

Adaptor union in PP-H/STAINLESS steel for socket welding (d), BSP (R) threaded A316L STAINLESS steel male end with O-Ring in EPDM or FKM.



Reference	system	Category	family	d x R	R ₁	PN	E	H	K	L ₁	Z	g
BIRXM020012F	PP-H system	Pressure Fittings	ISO-BSP Fittings Socket Welding	20 x 1/2"	1"	10	47	65	25	13,5	37,5	123
BIRXM025034F	PP-H system	Pressure Fittings	ISO-BSP Fittings Socket Welding	25 x 3/4"	1"1/4	10	58	71,5	32	15	40,5	208
BIRXM032100F	PP-H system	Pressure Fittings	ISO-BSP Fittings Socket Welding	32 x 1"	1"1/2	10	65	78	38	17,5	42,5	263
BIRXM040114F	PP-H system	Pressure Fittings	ISO-BSP Fittings Socket Welding	40 x 1"1/4	2"	10	78	87	48	19,5	47,5	490
BIRXM050112F	PP-H system	Pressure Fittings	ISO-BSP Fittings Socket Welding	50 x 1"1/2	2"1/4	10	85	95	55	19,5	52,5	613
BIRXM063200F	PP-H system	Pressure Fittings	ISO-BSP Fittings Socket Welding	63 x 2"	2"3/4	10	103	113,5	69	24	62,5	1050