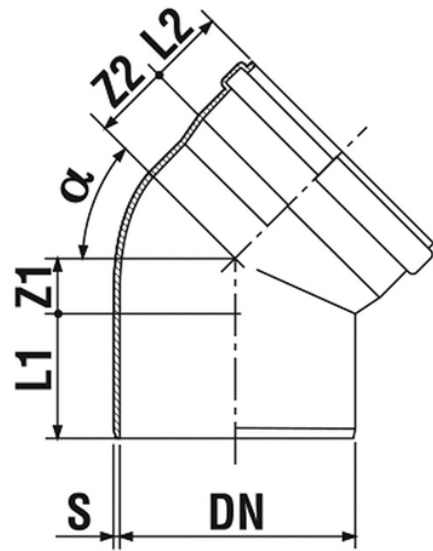


# Bend 30° M/F

Push-Fit PVC-U Pipe and Fittings  
 13 dB - 2 l/s Acoustic Performance  
 B s1 d0 Fire Reaction Euroclass

Thermoplastic mineral-reinforced material PVC-U  
 Ring jointed sockets fitted with certified elastomeric lipings  
 Color: RAL 9005 - Black



Reference	tootliimage	Colour	S (mm)	Z1 (mm)	Z2 (mm)	L1 (mm)	L2 (mm)	$\alpha$	DN (mm)	Version
01104P8	-	Black	3	5	19,5	49	41	30°	40	-
01105P8	-	Black	3	8	20	53	45	30°	50	-
01107P8	-	Black	3	11	24	50	45	30°	75	-
01109P8	-	Black	5,1	17	18	59	55,7	30°	90	High thicknes
07810P8	-	Black	3,2	12	20	68	56	30°	100	-
01111P8	-	Black	3,2	17	29	61	57	30°	110	-
01112P8	-	Black	3,2	19	29	68	62	30°	125	-
01116P8	-	Black	4	25	40	82	72	30°	160	-