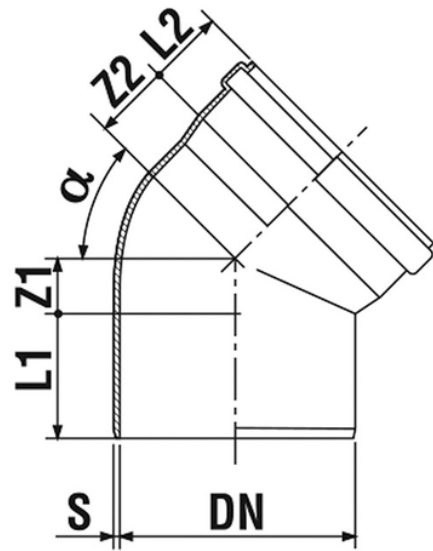


Bend 67°30' M/F

Push-Fit PVC-U Pipe and Fittings
 13 dB - 2 l/s Acoustic Performance
 B s1 d0 Fire Reaction Euroclass

Thermoplastic mineral-reinforced material PVC-U
 Ring jointed sockets fitted with certified elastomeric liprings
 Color: RAL 9005 - Black



Reference	tooltiplmage	Colour	S (mm)	Z1 (mm)	Z2 (mm)	L1 (mm)	L2 (mm)	α	DN (mm)	Version
01307P8	-	Black	3	25	40	60	51	67°30'	75	-
01309P8	-	Black	5,1	36	42	59	55,7	67°30'	90	High thicknes
07210P8	-	Black	3,2	33	53	75	57	67°30'	100	-
01311P8	-	Black	3,2	41	53	62	56	67°30'	110	-
01312P8	-	Black	3,2	46	60	69	62	67°30'	125	-
01316P8	-	Black	4	60	74	82	74	67°30'	160	-