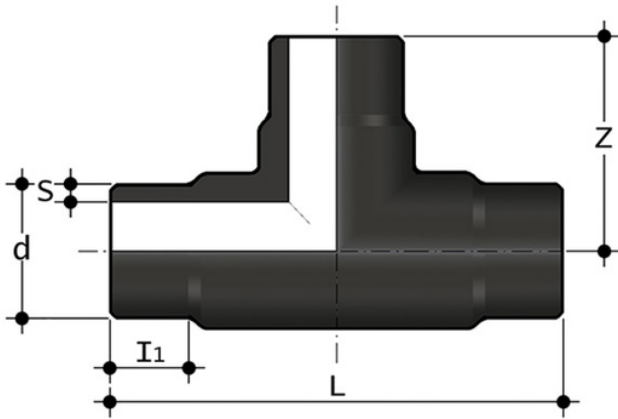


TBE SDR17 - 90° Tee

90° Tee, short spigot for butt welding SDR 17 - S8.



Reference	tooltiplimage	Other description	system	Category	family	series	d	L	Z	h	S	g
TBE17050	-	* resale products	PE Pipe and Fittings	Pressure Fittings	ISO-UNI Fittings	Short-spigot-for-butt-welding	*50	100	50	13	3,0	86
TBE17063	-	* resale products	PE Pipe and Fittings	Pressure Fittings	ISO-UNI Fittings	Short-spigot-for-butt-welding	63	156	78	29	3,8	182
TBE17075	-	* resale products	PE Pipe and Fittings	Pressure Fittings	ISO-UNI Fittings	Short-spigot-for-butt-welding	75	180	90	33	4,5	310
TBE17090	-	* resale products	PE Pipe and Fittings	Pressure Fittings	ISO-UNI Fittings	Short-spigot-for-butt-welding	90	200	100	23	5,4	513
TBE17110	-	* resale products	PE Pipe and Fittings	Pressure Fittings	ISO-UNI Fittings	Short-spigot-for-butt-welding	110	240	120	43	6,6	840
TBE17125	-	* resale products	PE Pipe and Fittings	Pressure Fittings	ISO-UNI Fittings	Short-spigot-for-butt-welding	125	250	125	26	7,4	1170
TBE17140	-	* resale products	PE Pipe and Fittings	Pressure Fittings	ISO-UNI Fittings	Short-spigot-for-butt-welding	140	280	140	32	8,3	1635
TBE17160	-	* resale products	PE Pipe and Fittings	Pressure Fittings	ISO-UNI Fittings	Short-spigot-for-butt-welding	160	350	160	40	9,5	2402
TBE17180	-	* resale products	PE Pipe and Fittings	Pressure Fittings	ISO-UNI Fittings	Short-spigot-for-butt-welding	180	390	195	73	10,7	3503
TBE17225	-	* resale products	PE Pipe and Fittings	Pressure Fittings	ISO-UNI Fittings	Short-spigot-for-butt-welding	225	490	245	72	13,4	7417
TBE17250	-	* resale products	PE Pipe and Fittings	Pressure Fittings	ISO-UNI Fittings	Short-spigot-for-butt-welding	*250	450	225	67	14,8	7670

TBE SDR17 - 90° Tee

Reference	tooltiplimage	Other description	system	Category	family	series	d	L	Z	h ₁	S	g
TBE17280	-	* resale products	PE Pipe and Fittings	Pressure Fittings	ISO-UNI Fittings	Short-spigot-for-butt-welding	280	620	310	105	16,6	13358
TBE17315	-	* resale products	PE Pipe and Fittings	Pressure Fittings	ISO-UNI Fittings	Short-spigot-for-butt-welding	315	700	350	111	18,7	19046
TBE17355	-	* resale products	PE Pipe and Fittings	Pressure Fittings	ISO-UNI Fittings	Short-spigot-for-butt-welding	*355	699	348	103	21,1	23640
TBE17400	-	* resale products	PE Pipe and Fittings	Pressure Fittings	ISO-UNI Fittings	Short-spigot-for-butt-welding	*400	722	361	105	23,7	28500
TBE17450	-	* resale products	PE Pipe and Fittings	Pressure Fittings	ISO-UNI Fittings	Short-spigot-for-butt-welding	*450	838	419	137	26,7	47500
TBE17500	-	* resale products	PE Pipe and Fittings	Pressure Fittings	ISO-UNI Fittings	Short-spigot-for-butt-welding	*500	940	471	163	29,7	53500

TBE SDR17 - 90° Tee

- Size range: d 12 ÷ d 800 (mm)
- Nominal pressure: SDR 17 (PN10) with water at 20 °C, SDR 11 (PN16) with water at 20 °C
- Temperature range: -40 °C ÷ 60 °C
- Coupling standards - Reference standards:
 - Welding: EN ISO 15494. Can be coupled to pipes according to EN ISO 15494
 - Flanging system: ISO 7005-1, EN 1092-1, EN ISO 15494, ANSI B16.5 cl.150
 - Construction criteria: UNI EN ISO 15494
 - Test methods and requirements: UNI EN ISO 15494
 - Installation criteria: DVS 2202-1, DVS 2207-1, UNI EN 12201- 3, UNI 10520, ISO 21307, UNI 10521, UNI EN 1555-3, ISO 4427- 3, ISO 4437-3
- Fitting material: PE-HD
- Seal material: EPDM, FKM