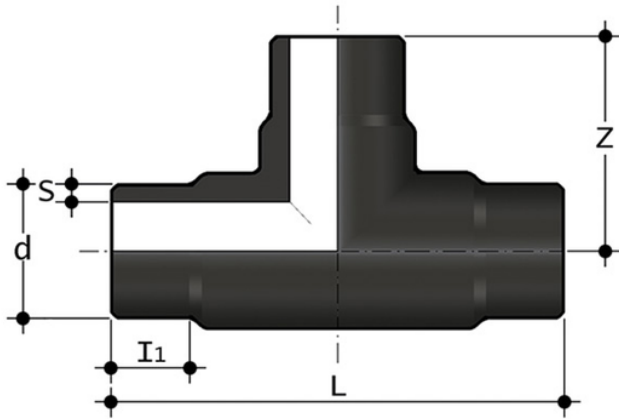


# TBE SDR11 - 90° Tee

90° Tee, short spigot for butt welding SDR 11 - S5.



Reference	tooltiplmage	Other description	system	Category	family	series	d	L	Z	h <sub>1</sub>	S	g
TBE11020	-	* resale products	PE Pipe and Fittings	Pressure Fittings	ISO-UNI Fittings	Short-spigot-for-butt-welding	*20	76	38	11	1,9	21
TBE11025	-	* resale products	PE Pipe and Fittings	Pressure Fittings	ISO-UNI Fittings	Short-spigot-for-butt-welding	*25	84	40	11	2,3	30
TBE11032	-	* resale products	PE Pipe and Fittings	Pressure Fittings	ISO-UNI Fittings	Short-spigot-for-butt-welding	32	80	40	12	2,9	32
TBE11040	-	* resale products	PE Pipe and Fittings	Pressure Fittings	ISO-UNI Fittings	Short-spigot-for-butt-welding	*40	90	45	11	3,7	67
TBE11050	-	* resale products	PE Pipe and Fittings	Pressure Fittings	ISO-UNI Fittings	Short-spigot-for-butt-welding	50	124	62	25	4,6	119
TBE11063	-	* resale products	PE Pipe and Fittings	Pressure Fittings	ISO-UNI Fittings	Short-spigot-for-butt-welding	63	156	78	29	5,8	248
TBE11075	-	* resale products	PE Pipe and Fittings	Pressure Fittings	ISO-UNI Fittings	Short-spigot-for-butt-welding	*75	153	75	19	6,8	394
TBE11090	-	* resale products	PE Pipe and Fittings	Pressure Fittings	ISO-UNI Fittings	Short-spigot-for-butt-welding	*90	198	99	43	8,2	705
TBE11110	-	* resale products	PE Pipe and Fittings	Pressure Fittings	ISO-UNI Fittings	Short-spigot-for-butt-welding	*110	254	127	55	10,0	1260
TBE11125	-	* resale products	PE Pipe and Fittings	Pressure Fittings	ISO-UNI Fittings	Short-spigot-for-butt-welding	*125	254	125	52	11,4	1638
TBE11140	-	* resale products	PE Pipe and Fittings	Pressure Fittings	ISO-UNI Fittings	Short-spigot-for-butt-welding	*140	314	153	65	12,7	2690

# TBE SDR11 - 90° Tee

Reference	tooltiplmage	Other description	system	Category	family	series	d	L	Z	h <sub>1</sub>	S	g
TBE11160	-	* resale products	PE Pipe and Fittings	Pressure Fittings	ISO-UNI Fittings	Short-spigot-for-butt-welding	*160	322	161	58	14,6	3380
TBE11180	-	* resale products	PE Pipe and Fittings	Pressure Fittings	ISO-UNI Fittings	Short-spigot-for-butt-welding	*180	430	214	94	16,4	5740
TBE11200	-	* resale products	PE Pipe and Fittings	Pressure Fittings	ISO-UNI Fittings	Short-spigot-for-butt-welding	*200	438	219	90	18,2	7280
TBE11225	-	* resale products	PE Pipe and Fittings	Pressure Fittings	ISO-UNI Fittings	Short-spigot-for-butt-welding	*225	452	226	76	20,5	9615
TBE11250	-	* resale products	PE Pipe and Fittings	Pressure Fittings	ISO-UNI Fittings	Short-spigot-for-butt-welding	*250	450	227	68	22,7	10770
TBE17280	-	* resale products	PE Pipe and Fittings	Pressure Fittings	ISO-UNI Fittings	Short-spigot-for-butt-welding	*280	530	265	87	25,4	15950
TBE11315	-	* resale products	PE Pipe and Fittings	Pressure Fittings	ISO-UNI Fittings	Short-spigot-for-butt-welding	*315	570	285	88	28,6	21285
TBE11355	-	* resale products	PE Pipe and Fittings	Pressure Fittings	ISO-UNI Fittings	Short-spigot-for-butt-welding	*355	698	349	103	32,2	31320
TBE11400	-	* resale products	PE Pipe and Fittings	Pressure Fittings	ISO-UNI Fittings	Short-spigot-for-butt-welding	*400	730	363	105	36,3	39300
TBE11450	-	* resale products	PE Pipe and Fittings	Pressure Fittings	ISO-UNI Fittings	Short-spigot-for-butt-welding	*450	837	419	137	40,9	65520
TBE11500	-	* resale products	PE Pipe and Fittings	Pressure Fittings	ISO-UNI Fittings	Short-spigot-for-butt-welding	*500	930	465	159	45,4	73720

## TBE SDR11 - 90° Tee

- Size range: d 12 ÷ d 800 (mm)
- Nominal pressure: SDR 17 (PN10) with water at 20 °C, SDR 11 (PN16) with water at 20 °C
- Temperature range: -40 °C ÷ 60 °C
- Coupling standards - Reference standards:
  - Welding: EN ISO 15494. Can be coupled to pipes according to EN ISO 15494
  - Flanging system: ISO 7005-1, EN 1092-1, EN ISO 15494, ANSI B16.5 cl.150
  - Construction criteria: UNI EN ISO 15494
  - Test methods and requirements: UNI EN ISO 15494
  - Installation criteria: DVS 2202-1, DVS 2207-1, UNI EN 12201- 3, UNI 10520, ISO 21307, UNI 10521, UNI EN 1555-3, ISO 4427- 3, ISO 4437-3
- Fitting material: PE-HD
- Seal material: EPDM, FKM