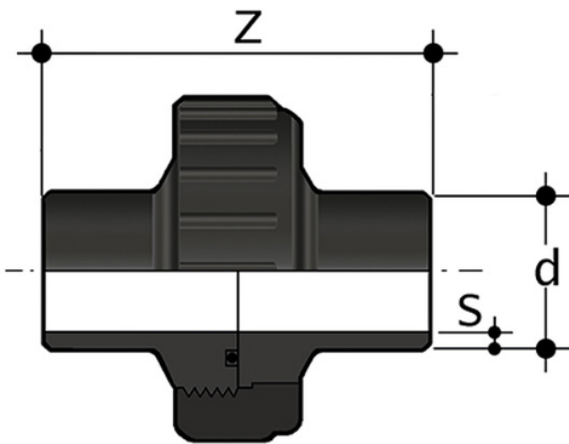


# BBE-C SDR 11 - Complete union

Complete union, short spigot, for butt welding with EPDM or FKM O-ring SDR 11 - S5.



## EPDM

Reference	Other description	system	Category	family	series	d	Z	S	g
BBEC11020E	* reduced pressure class (PN 10) with PVC nut only	PE Pipe and Fittings	Pressure Fittings	ISO-UNI Fittings	Short-spigot-for-butt-welding	20	108	1,9	60
BBEC11025E	* reduced pressure class (PN 10) with PVC nut only	PE Pipe and Fittings	Pressure Fittings	ISO-UNI Fittings	Short-spigot-for-butt-welding	25	108	2,3	83
BBEC11032E	* reduced pressure class (PN 10) with PVC nut only	PE Pipe and Fittings	Pressure Fittings	ISO-UNI Fittings	Short-spigot-for-butt-welding	32	108	2,9	123
BBEC11040E	* reduced pressure class (PN 10) with PVC nut only	PE Pipe and Fittings	Pressure Fittings	ISO-UNI Fittings	Short-spigot-for-butt-welding	40	108	3,7	214
BBEC11050E	* reduced pressure class (PN 10) with PVC nut only	PE Pipe and Fittings	Pressure Fittings	ISO-UNI Fittings	Short-spigot-for-butt-welding	50	108	4,6	299
BBEC11063E	* reduced pressure class (PN 10) with PVC nut only	PE Pipe and Fittings	Pressure Fittings	ISO-UNI Fittings	Short-spigot-for-butt-welding	63	108	5,8	491
BBEC11075E*	* reduced pressure class (PN 10) with PVC nut only	PE Pipe and Fittings	Pressure Fittings	ISO-UNI Fittings	Short-spigot-for-butt-welding	75	108	6,8	599
BBEC11090E*	* reduced pressure class (PN 10) with PVC nut only	PE Pipe and Fittings	Pressure Fittings	ISO-UNI Fittings	Short-spigot-for-butt-welding	90	180	8,2	737
BBEC11110E*	* reduced pressure class (PN 10) with PVC nut only	PE Pipe and Fittings	Pressure Fittings	ISO-UNI Fittings	Short-spigot-for-butt-welding	110	180	10,0	1154

## FKM

## BBE-C SDR 11 - Complete union

Reference	Other description	system	Category	family	series	d	Z	S	g
BBEC11020F	*&nbsp;reduced pressure class (PN 10) with PVC nut only	PE Pipe and Fittings	Pressure Fittings	ISO-UNI Fittings	Short-spigot-for-butt-welding	20	108	1,9	60
BBEC11025F	*&nbsp;reduced pressure class (PN 10) with PVC nut only	PE Pipe and Fittings	Pressure Fittings	ISO-UNI Fittings	Short-spigot-for-butt-welding	25	108	2,3	83
BBEC11032F	*&nbsp;reduced pressure class (PN 10) with PVC nut only	PE Pipe and Fittings	Pressure Fittings	ISO-UNI Fittings	Short-spigot-for-butt-welding	32	108	2,9	123
BBEC11040F	*&nbsp;reduced pressure class (PN 10) with PVC nut only	PE Pipe and Fittings	Pressure Fittings	ISO-UNI Fittings	Short-spigot-for-butt-welding	40	108	3,7	214
BBEC11050F	*&nbsp;reduced pressure class (PN 10) with PVC nut only	PE Pipe and Fittings	Pressure Fittings	ISO-UNI Fittings	Short-spigot-for-butt-welding	50	108	4,6	299
BBEC11063F	*&nbsp;reduced pressure class (PN 10) with PVC nut only	PE Pipe and Fittings	Pressure Fittings	ISO-UNI Fittings	Short-spigot-for-butt-welding	63	108	5,8	491
BBEC11075F*	*&nbsp;reduced pressure class (PN 10) with PVC nut only	PE Pipe and Fittings	Pressure Fittings	ISO-UNI Fittings	Short-spigot-for-butt-welding	75	108	6,8	599
BBEC11090F*	*&nbsp;reduced pressure class (PN 10) with PVC nut only	PE Pipe and Fittings	Pressure Fittings	ISO-UNI Fittings	Short-spigot-for-butt-welding	90	180	8,2	737
BBEC11110F*	*&nbsp;reduced pressure class (PN 10) with PVC nut only	PE Pipe and Fittings	Pressure Fittings	ISO-UNI Fittings	Short-spigot-for-butt-welding	110	180	10,0	1154

## BBE-C SDR 11 - Complete union

- Size range: d 12 ÷ d 800 (mm)
- Nominal pressure: SDR 17 (PN10) with water at 20 °C, SDR 11 (PN16) with water at 20 °C
- Temperature range: -40 °C ÷ 60 °C
- Coupling standards - Reference standards:
  - Welding: EN ISO 15494. Can be coupled to pipes according to EN ISO 15494
  - Flanging system: ISO 7005-1, EN 1092-1, EN ISO 15494, ANSI B16.5 cl.150
  - Construction criteria: UNI EN ISO 15494
  - Test methods and requirements: UNI EN ISO 15494
  - Installation criteria: DVS 2202-1, DVS 2207-1, UNI EN 12201- 3, UNI 10520, ISO 21307, UNI 10521, UNI EN 1555-3, ISO 4427- 3, ISO 4437-3
- Fitting material: PE-HD
- Seal material: EPDM, FKM