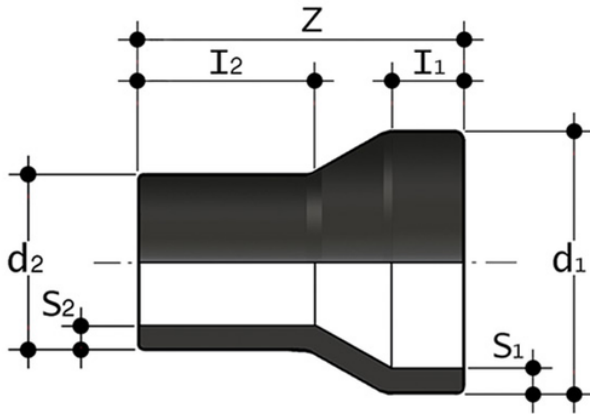


# RDE SDR11 – Concentric reducer

Concentric reducer, long spigot for butt welding SDR 11 – S5.



Reference	tooltiplmage	product.detail.attribute.textBelowTableText	system	Category	family	series	d <sub>1</sub>	d <sub>2</sub>	Z	h <sub>1</sub>
RDE11025020	-	* resale products	PE Pipe and Fittings	Pressure Fittings	ISO-UNI Fittings	Long-spigot-for-butt-welding-and-electrofusion	*25	20	90	41
RDE11032020	-	* resale products	PE Pipe and Fittings	Pressure Fittings	ISO-UNI Fittings	Long-spigot-for-butt-welding-and-electrofusion	*32	20	101	44
RDE11032025	-	* resale products	PE Pipe and Fittings	Pressure Fittings	ISO-UNI Fittings	Long-spigot-for-butt-welding-and-electrofusion	*32	25	100	44
RDE11040020	-	* resale products	PE Pipe and Fittings	Pressure Fittings	ISO-UNI Fittings	Long-spigot-for-butt-welding-and-electrofusion	*40	20	102	49
RDE11040025	-	* resale products	PE Pipe and Fittings	Pressure Fittings	ISO-UNI Fittings	Long-spigot-for-butt-welding-	*40	25	104	49



# RDE SDR11 – Concentric reducer

Reference	tooltiplmage	product.detail.attribute.textBelowTableText	system	Category	family	series	d <sub>1</sub>	d <sub>2</sub>	Z	h
RDE11040032	-	* resale products	PE Pipe and Fittings	Pressure Fittings	ISO-UNI Fittings	and-electrofusion Long-spigot-for-butt-welding-and-electrofusion	*40	32	105	49
RDE-SDR11	-	* resale products	PE Pipe and Fittings	Pressure Fittings	ISO-UNI Fittings	Long-spigot-for-butt-welding-and-electrofusion	*50	25	132	56
RDE11050032	-	* resale products	PE Pipe and Fittings	Pressure Fittings	ISO-UNI Fittings	Long-spigot-for-butt-welding-and-electrofusion	*50	32	132	57
RDE11050040	-	* resale products	PE Pipe and Fittings	Pressure Fittings	ISO-UNI Fittings	Long-spigot-for-butt-welding-and-electrofusion	*50	40	134	55
RDE11063032	-	* resale products	PE Pipe and Fittings	Pressure Fittings	ISO-UNI Fittings	Long-spigot-for-butt-welding-and-electrofusion	*63	32	144	63
RDE11063040	-	* resale products	PE Pipe and Fittings	Pressure Fittings	ISO-UNI Fittings	Long-spigot-for-butt-welding-and-electrofusion	*63	40	147	63
RDE11063050	-	* resale products	PE Pipe and Fittings	Pressure Fittings	ISO-UNI Fittings	Long-spigot-for-butt-welding-and-electrofusion	*63	50	152	64
RDE11075050	-	* resale products	PE Pipe and Fittings	Pressure Fittings	ISO-UNI Fittings	Long-spigot-for-butt-welding-and-electrofusion	*75	50	155	70





# RDE SDR11 – Concentric reducer

Reference	tooltiplmage	product.detail.attribute.textBelowTableText	system	Category	family	series	d <sub>1</sub>	d <sub>2</sub>	Z	h
RDE11075063	-	* resale products	PE Pipe and Fittings	Pressure Fittings	ISO-UNI Fittings	Long-spigot-for-butt-welding-and-electrofusion	*75	63	171	70
RDE11090050	-	* resale products	PE Pipe and Fittings	Pressure Fittings	ISO-UNI Fittings	Long-spigot-for-butt-welding-and-electrofusion	*90	50	174	79
RDE11090063	-	* resale products	PE Pipe and Fittings	Pressure Fittings	ISO-UNI Fittings	Long-spigot-for-butt-welding-and-electrofusion	*90	63	182	79
RDE11090075	-	* resale products	PE Pipe and Fittings	Pressure Fittings	ISO-UNI Fittings	Long-spigot-for-butt-welding-and-electrofusion	*90	75	180	79
RDE11110063	-	* resale products	PE Pipe and Fittings	Pressure Fittings	ISO-UNI Fittings	Long-spigot-for-butt-welding-and-electrofusion	*110	63	185	84
RDE11110075	-	* resale products	PE Pipe and Fittings	Pressure Fittings	ISO-UNI Fittings	Long-spigot-for-butt-welding-and-electrofusion	*110	75	185	84
RDE11110090	-	* resale products	PE Pipe and Fittings	Pressure Fittings	ISO-UNI Fittings	Long-spigot-for-butt-welding-and-electrofusion	*110	90	186	84
RDE11125063	-	* resale products	PE Pipe and Fittings	Pressure Fittings	ISO-UNI Fittings	Long-spigot-for-butt-welding-and-electrofusion	*125	63	200	91
RDE11125090	-	* resale products	PE Pipe	Pressure Fittings	ISO-UNI Fittings	Long-spigot-for-butt-welding-	*125	90	202	91





# RDE SDR11 – Concentric reducer

Reference	tooltiplmage	product.detail.attribute.textBelowTableText	system	Category	family	series	d <sub>1</sub>	d <sub>2</sub>	Z	h
RDE11125110	-	* resale products	PE Pipe and Fittings	Pressure Fittings	ISO-UNI Fittings	Long-spigot-for-butt-welding-and-electrofusion	*125	110	200	90
RDE11140090	-	* resale products	PE Pipe and Fittings	Pressure Fittings	ISO-UNI Fittings	Long-spigot-for-butt-welding-and-electrofusion	*140	90	237	112
RDE11140110	-	* resale products	PE Pipe and Fittings	Pressure Fittings	ISO-UNI Fittings	Long-spigot-for-butt-welding-and-electrofusion	*140	110	230	116
RDE11140125	-	* resale products	PE Pipe and Fittings	Pressure Fittings	ISO-UNI Fittings	Long-spigot-for-butt-welding-and-electrofusion	*140	125	235	117
RDE11160090	-	* resale products	PE Pipe and Fittings	Pressure Fittings	ISO-UNI Fittings	Long-spigot-for-butt-welding-and-electrofusion	*160	90	254	109
RDE11160110	-	* resale products	PE Pipe and Fittings	Pressure Fittings	ISO-UNI Fittings	Long-spigot-for-butt-welding-and-electrofusion	*160	110	254	110
RDE11160125	-	* resale products	PE Pipe and Fittings	Pressure Fittings	ISO-UNI Fittings	Long-spigot-for-butt-welding-and-electrofusion	*160	125	254	110
RDE11160140	-	* resale products	PE Pipe and Fittings	Pressure Fittings	ISO-UNI Fittings	Long-spigot-for-butt-welding-and-electrofusion	*160	140	254	110





# RDE SDR11 – Concentric reducer

Reference	tooltiplmage	product.detail.attribute.textBelowTableText	system	Category	family	series	d <sub>1</sub>	d <sub>2</sub>	Z	h
RDE11180125	-	* resale products	PE Pipe and Fittings	Pressure Fittings	ISO-UNI Fittings	Long-spigot-for-butt-welding-and-electrofusion	*180	125	245	105
RDE11180160	-	* resale products	PE Pipe and Fittings	Pressure Fittings	ISO-UNI Fittings	Long-spigot-for-butt-welding-and-electrofusion	*180	160	279	126
RDE11200160	-	* resale products	PE Pipe and Fittings	Pressure Fittings	ISO-UNI Fittings	Long-spigot-for-butt-welding-and-electrofusion	*200	160	277	122
RDE11225160	-	* resale products	PE Pipe and Fittings	Pressure Fittings	ISO-UNI Fittings	Long-spigot-for-butt-welding-and-electrofusion	*225	160	295	132
RDE11225180	-	* resale products	PE Pipe and Fittings	Pressure Fittings	ISO-UNI Fittings	Long-spigot-for-butt-welding-and-electrofusion	*225	180	285	130
RDE11250160	-	* resale products	PE Pipe and Fittings	Pressure Fittings	ISO-UNI Fittings	Long-spigot-for-butt-welding-and-electrofusion	*250	160	308	149
RDE11250180	-	* resale products	PE Pipe and Fittings	Pressure Fittings	ISO-UNI Fittings	Long-spigot-for-butt-welding-and-electrofusion	*250	180	316	151
RDE11250200	-	* resale products	PE Pipe and Fittings	Pressure Fittings	ISO-UNI Fittings	Long-spigot-for-butt-welding-and-electrofusion	*250	200	324	151
RDE11250225	-	* resale products	PE Pipe	Pressure Fittings	ISO-UNI Fittings	Long-spigot-for-butt-welding-	*250	225	330	155





# RDE SDR11 – Concentric reducer

Reference	tooltiplmage	product.detail.attribute.textBelowTableText	system	Category	family	series	d <sub>1</sub>	d <sub>2</sub>	Z	h
RDE11280200	-	* resale products	PE Pipe and Fittings	Pressure Fittings	ISO-UNI Fittings	Long-spigot-for-butt-welding-and-electrofusion	*280	200	345	140
RDE11280225	-	* resale products	PE Pipe and Fittings	Pressure Fittings	ISO-UNI Fittings	Long-spigot-for-butt-welding-and-electrofusion	*280	225	335	142
RDE11280250	-	* resale products	PE Pipe and Fittings	Pressure Fittings	ISO-UNI Fittings	Long-spigot-for-butt-welding-and-electrofusion	*280	250	340	139
RDE11315200	-	* resale products	PE Pipe and Fittings	Pressure Fittings	ISO-UNI Fittings	Long-spigot-for-butt-welding-and-electrofusion	*315	200	380	180
RDE11315225	-	* resale products	PE Pipe and Fittings	Pressure Fittings	ISO-UNI Fittings	Long-spigot-for-butt-welding-and-electrofusion	*315	225	365	150
RDE11315250	-	* resale products	PE Pipe and Fittings	Pressure Fittings	ISO-UNI Fittings	Long-spigot-for-butt-welding-and-electrofusion	*315	250	365	150
RDE11315280	-	* resale products	PE Pipe and Fittings	Pressure Fittings	ISO-UNI Fittings	Long-spigot-for-butt-welding-and-electrofusion	*315	280	365	150
RDE11355250	-	* resale products	PE Pipe and Fittings	Pressure Fittings	ISO-UNI Fittings	Long-spigot-for-butt-welding-and-electrofusion	*355	250	390	164





# RDE SDR11 – Concentric reducer

Reference	tooltiplmage	product.detail.attribute.textBelowTableText	system	Category	family	series	d <sub>1</sub>	d <sub>2</sub>	Z	h
RDE11355280	-	* resale products	PE Pipe and Fittings	Pressure Fittings	ISO-UNI Fittings	Long-spigot-for-butt-welding-and-electrofusion	*355	280	390	164
RDE11355315	-	* resale products	PE Pipe and Fittings	Pressure Fittings	ISO-UNI Fittings	Long-spigot-for-butt-welding-and-electrofusion	*355	315	390	164
RDE11400280	-	* resale products	PE Pipe and Fittings	Pressure Fittings	ISO-UNI Fittings	Long-spigot-for-butt-welding-and-electrofusion	*400	280	415	179
RDE11400315	-	* resale products	PE Pipe and Fittings	Pressure Fittings	ISO-UNI Fittings	Long-spigot-for-butt-welding-and-electrofusion	*400	315	415	179
RDE11400355	-	* resale products	PE Pipe and Fittings	Pressure Fittings	ISO-UNI Fittings	Long-spigot-for-butt-welding-and-electrofusion	*400	355	420	179
RDE11450280	-	* resale products	PE Pipe and Fittings	Pressure Fittings	ISO-UNI Fittings	Long-spigot-for-butt-welding-and-electrofusion	*450	280	390	205
RDE11450315	-	* resale products	PE Pipe and Fittings	Pressure Fittings	ISO-UNI Fittings	Long-spigot-for-butt-welding-and-electrofusion	*450	315	390	205
RDE11450355	-	* resale products	PE Pipe and Fittings	Pressure Fittings	ISO-UNI Fittings	Long-spigot-for-butt-welding-and-electrofusion	*450	355	400	205
RDE11450400	-	* resale products	PE Pipe	Pressure Fittings	ISO-UNI Fittings	Long-spigot-for-butt-welding-	*450	400	400	205





# RDE SDR11 – Concentric reducer

Reference	tooltiplmage	product.detail.attribute.textBelowTableText	system	Category	family	series	d <sub>1</sub>	d <sub>2</sub>	Z	h
RDE11500315	-	* resale products	PE Pipe and Fittings	Pressure Fittings	ISO-UNI Fittings	Long-spigot-for-butt-welding-and-electrofusion	*500	315	430	225
RDE11500355	-	* resale products	PE Pipe and Fittings	Pressure Fittings	ISO-UNI Fittings	Long-spigot-for-butt-welding-and-electrofusion	*500	355	430	225
RDE11500400	-	* resale products	PE Pipe and Fittings	Pressure Fittings	ISO-UNI Fittings	Long-spigot-for-butt-welding-and-electrofusion	*500	400	430	225
RDE11500450	-	* resale products	PE Pipe and Fittings	Pressure Fittings	ISO-UNI Fittings	Long-spigot-for-butt-welding-and-electrofusion	*500	450	430	225
RDE11560355	-	* resale products	PE Pipe and Fittings	Pressure Fittings	ISO-UNI Fittings	Long-spigot-for-butt-welding-and-electrofusion	*560	355	460	240
RDE11560400	-	* resale products	PE Pipe and Fittings	Pressure Fittings	ISO-UNI Fittings	Long-spigot-for-butt-welding-and-electrofusion	*560	400	470	240
RDE11560450	-	* resale products	PE Pipe and Fittings	Pressure Fittings	ISO-UNI Fittings	Long-spigot-for-butt-welding-and-electrofusion	*560	450	470	240
RDE11560500	-	* resale products	PE Pipe and Fittings	Pressure Fittings	ISO-UNI Fittings	Long-spigot-for-butt-welding-and-electrofusion	*560	500	470	240





# RDE SDR11 – Concentric reducer

Reference	tooltiplmage	product.detail.attribute.textBelowTableText	system	Category	family	series	d <sub>1</sub>	d <sub>2</sub>	Z	h <sub>1</sub>
RDE11630400	-	* resale products	PE Pipe and Fittings	Pressure Fittings	ISO-UNI Fittings	Long-spigot-for-butt-welding-and-electrofusion	*630	400	510	260
RDE11630450	-	* resale products	PE Pipe and Fittings	Pressure Fittings	ISO-UNI Fittings	Long-spigot-for-butt-welding-and-electrofusion	*630	450	510	260
RDE11630500	-	* resale products	PE Pipe and Fittings	Pressure Fittings	ISO-UNI Fittings	Long-spigot-for-butt-welding-and-electrofusion	*630	500	510	260
RDE11630560	-	* resale products	PE Pipe and Fittings	Pressure Fittings	ISO-UNI Fittings	Long-spigot-for-butt-welding-and-electrofusion	*630	560	520	260

## RDE SDR11 – Concentric reducer

- Size range:  $d 12 \div d 800$  (mm)
- Nominal pressure: SDR 17 (PN10) with water at 20 °C, SDR 11 (PN16) with water at 20 °C
- Temperature range:  $-40 \text{ °C} \div 60 \text{ °C}$
- Coupling standards – Reference standards:
  - Welding: EN ISO 15494. Can be coupled to pipes according to EN ISO 15494
  - Flanging system: ISO 7005-1, EN 1092-1, EN ISO 15494, ANSI B16.5 cl.150
  - Construction criteria: UNI EN ISO 15494
  - Test methods and requirements: UNI EN ISO 15494
  - Installation criteria: DVS 2202-1, DVS 2207-1, UNI EN 12201- 3, UNI 10520, ISO 21307, UNI 10521, UNI EN 1555-3, ISO 4427- 3, ISO 4437-3
- Fitting material: PE-HD
- Seal material: EPDM, FKM