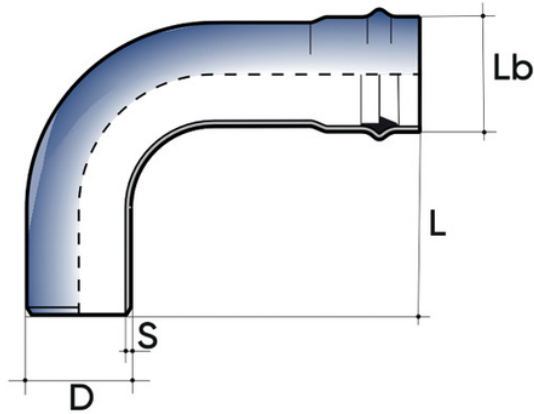


POWER-LOCK VDA® PN16 - 90° bend

VDA® pressure POWER-LOCK bend, Blu Ral 5010, 90 DEGREES, connection FORSHEDA 601 POWER-LOCK®.



Reference	Other description	system	Category	family	series	D (mm)	S (mm)	Lb (mm)	Qty x pallet
PBVDAPN16063F9L	* Quantity to be defined	VDA system	Pipes	PVC-A Power-Lock Bends	PN16 Power-Lock bends	63	3.2	110	55
PBVDAPN16075F9L	* Quantity to be defined	VDA system	Pipes	PVC-A Power-Lock Bends	PN16 Power-Lock bends	75	3,7	120	55
PBVDAPN16090F9L	* Quantity to be defined	VDA system	Pipes	PVC-A Power-Lock Bends	PN16 Power-Lock bends	90	4.0	130	55
PBVDAPN16110F9L	* Quantity to be defined	VDA system	Pipes	PVC-A Power-Lock Bends	PN16 Power-Lock bends	110	4.9	130	45
PBVDAPN16125F9L	* Quantity to be defined	VDA system	Pipes	PVC-A Power-Lock Bends	PN16 Power-Lock bends	125	5.5	150	35
PBVDAPN16140F9L	* Quantity to be defined	VDA system	Pipes	PVC-A Power-Lock Bends	PN16 Power-Lock bends	140	6.2	160	25
PBVDAPN16160F9L	* Quantity to be defined	VDA system	Pipes	PVC-A Power-Lock Bends	PN16 Power-Lock bends	160	7.0	165	25
PBVDAPN16200F9L	* Quantity to be defined	VDA system	Pipes	PVC-A Power-Lock Bends	PN16 Power-Lock bends	200	8.8	180	*
PBVDAPN16225F9L	* Quantity to be defined	VDA system	Pipes	PVC-A Power-Lock Bends	PN16 Power-Lock bends	225	9.9	200	*
PBVDAPN16250F9L	* Quantity to be defined	VDA system	Pipes	PVC-A Power-Lock Bends	PN16 Power-Lock bends	250	11.0	210	*
PBVDAPN16280F9L	* Quantity to be defined	VDA system	Pipes	PVC-A Power-Lock Bends	PN16 Power-Lock bends	280	12.3	210	*



POWER-LOCK VDA® PN16 - 90° bend

Reference	Other description	system	Category	family	series	D (mm)	S (mm)	Lb (mm)	Qty x pallet
PBVDAPN16315F9L	* Quantity to be defined	VDA system	Pipes	PVC-A Power-Lock Bends	PN16 Power-Lock bends	315	13.8	230	*
PBVDAPN16355F9L	* Quantity to be defined	VDA system	Pipes	PVC-A Power-Lock Bends	PN16 Power-Lock bends	355	15.6	250	*
PBVDAPN16400F9L	* Quantity to be defined	VDA system	Pipes	PVC-A Power-Lock Bends	PN16 Power-Lock bends	400	17.5	250	*



POWER-LOCK VDA® PN16 – 90° bend

- **Size range:** d 63 ÷ 400 (mm); Degrees: 90°
- **Nominal pressure:** PN16
- **Temperature range:** 0 °C ÷ 60 °C
- **Coupling standards:** FORSHEDA JOINT, gluing on request
- **Reference standards:** Curves produced from certified pipes:
 - KQ KIWA QUALITY KIP-105133- BSPAS27
 - D.M. No.174/2004-potability
 - UNIEN 1622- smell and taste threshold
- **Bend material:** PVC-A colour BLUE RAL 5010