

UAM

Universal transition adaptor HD-PE/brass with female thread

Universal transition adaptor brass pipe UAM

- Water and gas
- Maximum pressure: Water 16 bar, gas 5 bar
- Material: PE 100 and brass [CW617N / CW612N, ISO 228 thread]

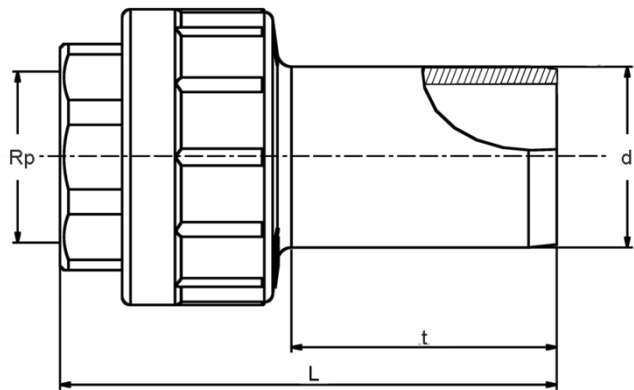
Note:

The brass side is anchored non-detachable and non-rotatable in the PE.

Installation independent of position possible.

For use in the water and gas sector.

Other thread dimensions and materials on request.



PE 100 SDR 11

Maximum permissible working pressure 16 bar (water) / 5 bar (gas)



Reference	d	Rp	BX	PU	L	t	SW	Weight kg
616615	20	1/2"	80	4800	79	41	26	0,080
616616	25	3/4"	60	3600	77	44	32	0,120
616156	32	1"	36	2160	88	47	40	0,190
616157	40	1 1/4"	20	1200	100	56	49	0,290
616158	50	1 1/2"	16	960	102	57	55	0,350
616621	63	1 1/2"	10	600	115	63	55	0,450
616159	63	2"	10	600	120	63	67	0,580
616665	75	2 1/2"	10	300	128	70	82	0,760
616623	90	3"	10	240	144	78	94	1,030
616624	110	4"	6	180	161	87	120	1,870
616666	125	4"	4	180	161	92	120	1,990

Please note the mandatory labels directly on the product.

All information subject to change. Further information is available at:
+49 621 486-0 | info.de@alixaxis.com | alixaxis.de

UAM

Universal transition adaptor HD-PE/brass with female thread

DVGW test mark issued with reg. no.:

- DW-7511CR0155
- DG-7521CR0172

The brass female thread is made of the material CW612N or CW617N.

Other brass materials available on request.

Universal transition adaptor HD-PE/brass with female thread

Areas of Application

The FRIALEN Universal Adapter UAM serves to connect metal construction parts which have a screwed connection e.g. valves with an HD-PE connection pipe. Suitable for gas and water supply or for industrial applications. The version with PE spigot end allows for assembly regardless of location and the homogenous fusion connection with all suitable FRIALEN fittings (exception of FRIALONG- and FRIASTOPP-Long couplers).

The threaded joint is according ISO 7-1.

Assembly Instructions

Usually the screw connection needs to be assembled first as assembly related torsion forces should not bear down on the connected PE pipe. The tightening forces must be introduced via the specially designed wrench area.

The fusion of the PE spigot end with a FRIALEN coupler takes place by using FRIALEN fusion process – leakproof and longitudinally strong.

The installation is according to the general installation instruction (see "Transition Fittings with threaded connection" in "Assembly Instructions" for "FRIALEN-Safety Fittings for house connections and distribution pipes up to d 225"). This involves removing the oxide layer and cleaning the pipe ends.

Good reasons for using the FRIALEN-Universal Adapter UAM:

- PE 100 spigot end – quality controlled
- Tested and quality controlled brass quality
- Assembly regardless of location, high degree of flexibility due to separate fusion of PE spigot end
- May be used with all FRIALEN fittings of identical dimensions (exception of FRIALONG- and FRIASTOPP-Long couplers)
- Universal combination option with the FRIALEN range
- HD-PE side with spigot end for processing without holding device, designed for FRIALEN couplers
- Pull-proof connection
- Brass side tightly connected with PE spigot end, safe from distortion
- Compact construction
- Additional barcode for tracing back the fitting (Traceability-Coding).
- Oxidic layer may be removed from PE spigot end using scraper tools