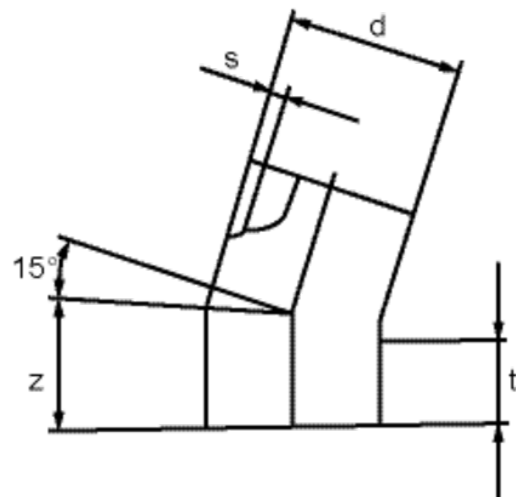


ABS 15

15° sewage bend (spigot fitting)

Sewage bend 15°, SDR 17 (spigot fitting) ABS 15

- HD-PE fitting for processing without holding devices with FRIAFIT couplers AM
- Black pipe colour with bright inner surface



PE 100

Maximum permissible working pressure 10 bar (20 °C, water / sewage)

Reference	d	BX	t	Z	s	Weight kg
681006	160	1	170	280	9,1	2,780
681008	225	1	250	370	12,8	6,870
681023	280	1	300	438	15,9	12,500
681020	355	1	300	528	20,1	24,300