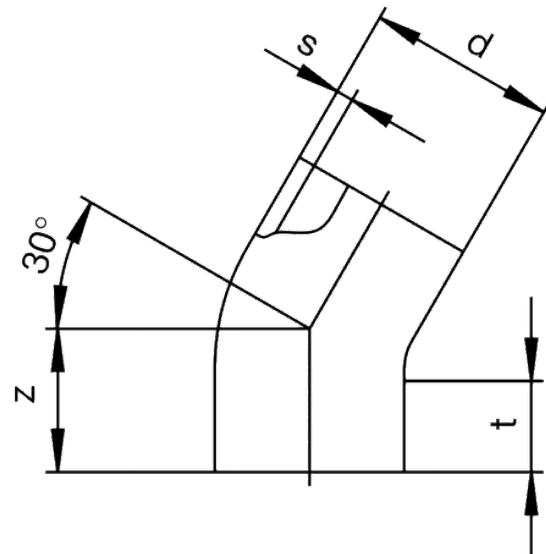


ABS 30

30° sewage bend (spigot fitting)

Sewage bend 30°, SDR 17 (spigot fitting) ABS 30

- HD-PE fitting for processing without holding devices with FRIAFIT couplers AM
- Black pipe colour with bright inner surface



PE 100

Maximum permissible working pressure 10 bar (20 °C, water / sewage)

Reference	d	BX	PU	t	Z	s	Weight kg
681001	160	1	-	170	280	9,1	2,280
681003	225	1	15	250	371	12,8	4,920
681022	280	1	-	300	440	15,9	12,500
681021	315	1	10	300	480	17,9	17,400
681019	355	1	-	300	520	20,1	63,300