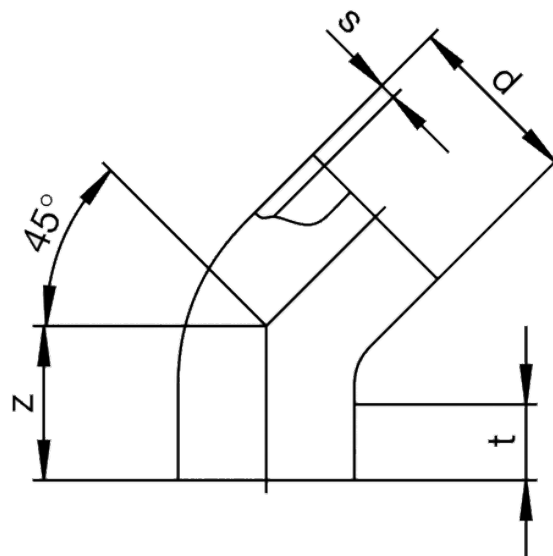


ABS 45

45° sewage bend (spigot fitting)

Sewage bend 45°, SDR 17 (spigot fitting) ABS 45

- HD-PE fitting for processing without holding devices with FRIAFIT couplers AM
- Black pipe colour with bright inner surface



PE 100

Maximum permissible working pressure 10 bar (20 °C, water / sewage)

Reference	d	BX	PU	t	Z	s	Weight kg
681201	160	1	-	170	280	9,1	2,280
681203	200	1	-	250	349	11,4	5,900
681204	225	1	-	250	380	12,8	5,670
681205	250	1	-	250	411	14,2	8,430
681206	280	1	4	300	448	15,9	15,300
681207	315	1	-	300	491	17,9	22,500
681208	355	1	-	300	541	20,1	63,600