

URK

Ultra-Range Coupling

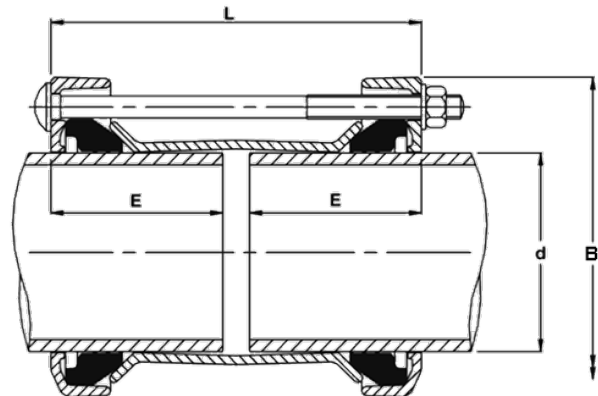
Ultra-Range is the same as MegaFit.

Coupling for connecting pipes made of different materials (steel, cast iron, ductile cast iron, asbestos cement, PVC, PE-HD/PEX).

- Housing and follower ring made of ductile cast iron (EN-GS-450-10)
- Rilsan corrosion protection (min. 250 µm according to GSK)
- Screws and nuts galvanized/theraplex-coated or made of stainless steel
- Seal material EPDM or NBR
- Diameter tolerance max. 34 mm depending on dimensions
- Pipes can be angled by max. 8 degrees

Note:

When used on PE-HD/PEX pipes, our SHVA inner support sleeve is required. Alternatively, we recommend the longitudinally force-locking product FRIAGRIP.



Nuts and bolts galvanized and theraplex coated Gasket EPDM, DIN-EN 681-1 / KTW / UBA / DVGW-W270

PFA /PN Water: up to DN 300 = 16 bar

Reference	d	DN	BX	PU	L	t min	t max	Weight kg
UR-02R9-043	43,5-63,5	40/50	4	96	210	80	95	4,900
UR-02R9-063	63,0-83,7	65	2	48	215	80	95	5,750
UR-02R9-085	85,7-107,0	80	4	72	240	75	110	6,900
UR-02R9-107	107,2-133,2	100	1	30	260	75	120	10,300
UR-02R9-132	132,2-160,2	125	1	30	260	75	120	12,400
UR-02R9-158	158,2-192,2	150	1	18	305	90	145	17,100



Ultra-Range Coupling

Reference	d	DN	BX	PU	L	t min	t max	Weight kg
UR-02R9-192	192,2-226,9	175	1	12	320	90	145	19,500
UR-02R9-218	218,1-252,1	200	1	12	320	90	145	24,900
UR-02R9-266	266,2-300,2	250	1	2	400	90	185	34,700
UR-02R9-315	315,0-349,0	300	1	2	400	90	185	42,550

Nuts and Bolts Stainless steel ,Gasket EPDM, DIN-EN 681-1 / KTW / UBA / DVGW-W270

PFA /PN Water: up to DN 300 = 16 bar

Reference	d	DN	BX	PU	L	t min	t max	Weight kg
UR-02R9X043	43,5-63,5	40/50	4	96	210	80	95	4,400
UR-02R9X063	63,0-83,7	65	2	48	215	80	95	5,400
UR-02R9X085	85,7-107,0	80	4	72	240	75	110	6,600
UR-02R9X107	107,2-133,2	100	1	30	260	75	120	10,300
UR-02R9X132	132,2-160,2	125	1	30	260	75	120	17,350
UR-02R9X158	158,2-192,2	150	1	18	305	90	145	16,200
UR-02R9X192	192,2-226,9	175	1	12	320	90	145	19,500
UR-02R9X218	218,1-252,1	200	1	12	320	90	145	25,000
UR-02R9X266	266,2-300,2	250	1	2	400	90	185	37,000
UR-02R9X315	315,0-349,0	300	1	2	400	90	185	41,000

Nuts and bolts galvanized and sheraplex coated, Gasket NBR, DIN-EN 682 MOP Gas = 5 bar / other water qualities = 16 bar

Reference	d	DN	BX	PU	L	t min	t max	Weight kg
UR-02R2-043	43,5-63,5	40/50	4	96	210	80	95	4,900
UR-02R2-063	63,0-83,7	65	2	48	215	80	95	5,750
UR-02R2-085	85,7-107,0	80	4	72	240	75	110	6,900
UR-02R2-107	107,2-133,2	100	1	30	260	75	120	10,300
UR-02R2-132	132,2-160,2	125	1	30	260	75	120	12,400
UR-02R2-158	158,2-192,2	150	1	18	305	90	145	17,100
UR-02R2-192	192,2-226,9	175	1	12	320	90	145	19,500
UR-02R2-218	218,1-252,1	200	1	12	320	90	145	24,900
UR-02R2-266	266,2-300,2	250	1	2	400	90	185	37,100
UR-02R2-315	315,0-349,0	300	1	2	400	90	185	42,550

Nuts and bolts Stainless Steel, Gasket NBR, DIN-EN 682 MOP Gas = 5 bar / other water qualities = 16 bar

URK

Ultra-Range Coupling

Reference	d	DN	BX	PU	L	t min	t max	Weight kg
UR-02R2X043	43,5-63,5	40/50	4	96	210	80	95	4,400
UR-02R2X063	63,0-83,7	65	2	48	215	80	95	5,400
UR-02R2X085	85,7-107,0	80	4	72	240	75	110	6,600
UR-02R2X107	107,2-133,2	100	1	30	260	75	120	10,300
UR-02R2X132	132,2-160,2	125	1	30	260	75	120	12,400
UR-02R2X158	158,2-192,2	150	1	18	305	90	145	17,350
UR-02R2X192	192,2-226,9	175	1	12	320	90	145	19,500
UR-02R2X218	218,1-252,1	200	1	12	320	90	145	25,000
UR-02R2X266	266,2-300,2	250	1	2	400	90	185	37,000
UR-02R2X315	315,0-349,0	300	1	2	400	90	185	41,000

Ultra-Range Coupling

Application areas

Ultra-Range flange adapters and couplings are flexible connecting elements for pipes made of steel, cast iron, ductile iron, fiber cement, PVC, PE-HD/PEX, available from DN 40 to DN 300.

The clamping ranges up to DN 300 are designed so that a component can be used on all pipe materials of a nominal diameter.

Ultra-Range can be subjected to operating pressures of up to 16 bar for water and up to PN 5 for gas.

Ultra-Range can be used with NBR seals for gas, water and waste water, and with EPDM seals (DVGW-W270 [11.2007], KTW) in drinking water distribution networks. Screws and nuts correspond to strength class 8.8/8 and are galvanized/sheraplex-coated or made of stainless steel.

Processing instructions

Ultra-Range can be used to make flexible connections between pipes made of the same or different materials.

The pipe ends must be prepared in accordance with the general installation requirements (see FRIAGRIP installation instructions).

The insertion depths $t_{min.}/t_{max.}$ must be observed.

When using PE-HD/PEX pipes, the FRIAGRIP support sleeve (type FRIATEC Mod. SHVA, see current FRIAGRIP price list. Alternatively, we recommend the restrained Products like FRIAGRIP.

Good reasons for Ultra-Range

Proven design, body and follower ring made of ductile cast iron GGG40 and coated with RILSAN®

Flanges are generally drilled to PN 10 and PN 16

The components are supplied pre-assembled at the factory, so no conversion or replacement work is required on site

One gasket for the pipe materials steel, cast iron, ductile cast iron, fiber cement, PVC, PE-HD/PEX

Pipes can be angled up to 8° (URK) or 4° (URFA). In the event of pipe fractures, a misalignment can be compensated for by installing two couplings. The couplings act like a joint and keep the pipe tension-free

Simple installation with standard tools

One torque for all pipe materials

It is not necessary to check the tightening torque of the screws several times

The tolerance range of up to 34 mm enables different pipe materials to be connected to one component. Reduced stock levels for suppliers and retailers