

WRK

Wide-Range Coupling

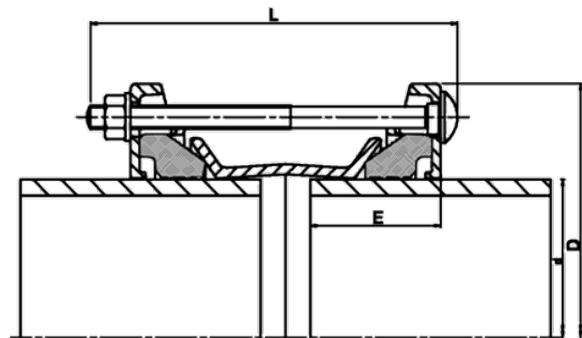
Wide-Range is the same as MaxiFit.

Coupling for connecting pipes made of different materials (steel, cast iron, ductile cast iron, asbestos cement, PVC, PE-HD/PEX).

- Housing and follower ring made of steel
- Rilsan corrosion protection (min. 250 μm according to GSK)
- Screws and nuts galvanized/sheraplex-coated or made of stainless steel
- Seal material EPDM
- Diameter tolerance max. 17 mm
- Pipes can be angled by max. 6 degrees

Note:

Our SHVA inner support sleeve is required for use on PE-HD/PEX pipes Alternatively, we recommend the longitudinally force-locking product FRIAGRIP.



Nuts and bolts galvanized and sheraplex coated Gasket EPDM, DIN-EN 681-1 / KTW / UBA / DVGW-W270

PFA /PN Water: up to DN 300 = 16 bar

Reference	d	DN	BX	PU	L	Weight kg
GB-02R9-351	351,0-368,0	300	1	2	310	32,400
GB-02R9-374	374,5-391,5	350	1	1	310	34,200
GB-02R9-394	394,3-411,3	400	1	1	310	35,600
GB-02R9-418	418,2-435,2	400	1	1	310	37,600
GB-02R9-447	447,2-464,2	400	1	1	310	39,500
GB-02R9-455	455,0-472,0	450	1	1	310	39,500

Wide-Range Coupling

Reference	d	DN	BX	PU	L	Weight kg
GB-02R9-476	476,0-493,0	450	1	1	310	43,000
GB-02R9-501	501,9-518,9	500	1	1	310	44,500
GB-02R9-527	527,0-544,0	500	1	1	310	46,000
GB-02R9-555	555,3-572,3	500	1	1	310	47,600
GB-02R9-630	630,5-647,5	600	1	1	310	52,000
GB-02R9-662	662,0-679,0	600	1	1	310	57,800
GB-02R9-675	675,0-692,0	600	1	1	310	59,000

Nuts and Bolts Stainless steel ,Gasket EPDM, DIN-EN 681-1 / KTW / UBA / DVGW-W270

PFA /PN Water: up to DN 300 = 16 bar

Reference	d	DN	BX	PU	L	Weight kg
GB-02R9X351	351,0-368,0	300	1	2	310	32,400
GB-02R9X374	374,5-391,5	350	1	1	310	34,200
GB-02R9X394	394,3-411,3	400	1	1	310	35,600
GB-02R9X418	418,2-435,2	400	1	1	310	37,600
GB-02R9X447	447,2-464,2	400	1	1	310	39,100
GB-02R9X455	455,0-472,0	450	1	1	310	39,500
GB-02R9X476	476,0-493,0	450	1	1	310	43,000
GB-02R9X501	501,9-518,9	500	1	1	310	44,500
GB-02R9X527	527,0-544,0	500	1	1	310	47,700
GB-02R9X555	555,3-572,3	500	1	1	310	47,600
GB-02R9X630	630,5-647,5	600	1	1	310	56,100
GB-02R9X662	662,0-679,0	600	1	1	310	57,800
GB-02R9X675	675,0-692,0	600	1	1	310	59,000
GB-02R9X689	689,0-706,0	700	1	1	310	56,300
GB-02R9X695	695,0-712,0	700	1	1	310	56,700
GB-02R9X710	710,0-727,0	700	1	1	310	57,700
GB-02R9X733	733,0-750,0	700	1	1	310	60,100